



*Your Reliable Power Partner*



## ***DC-DC Converter***

*Enclosed | PCB | On Board | Module*



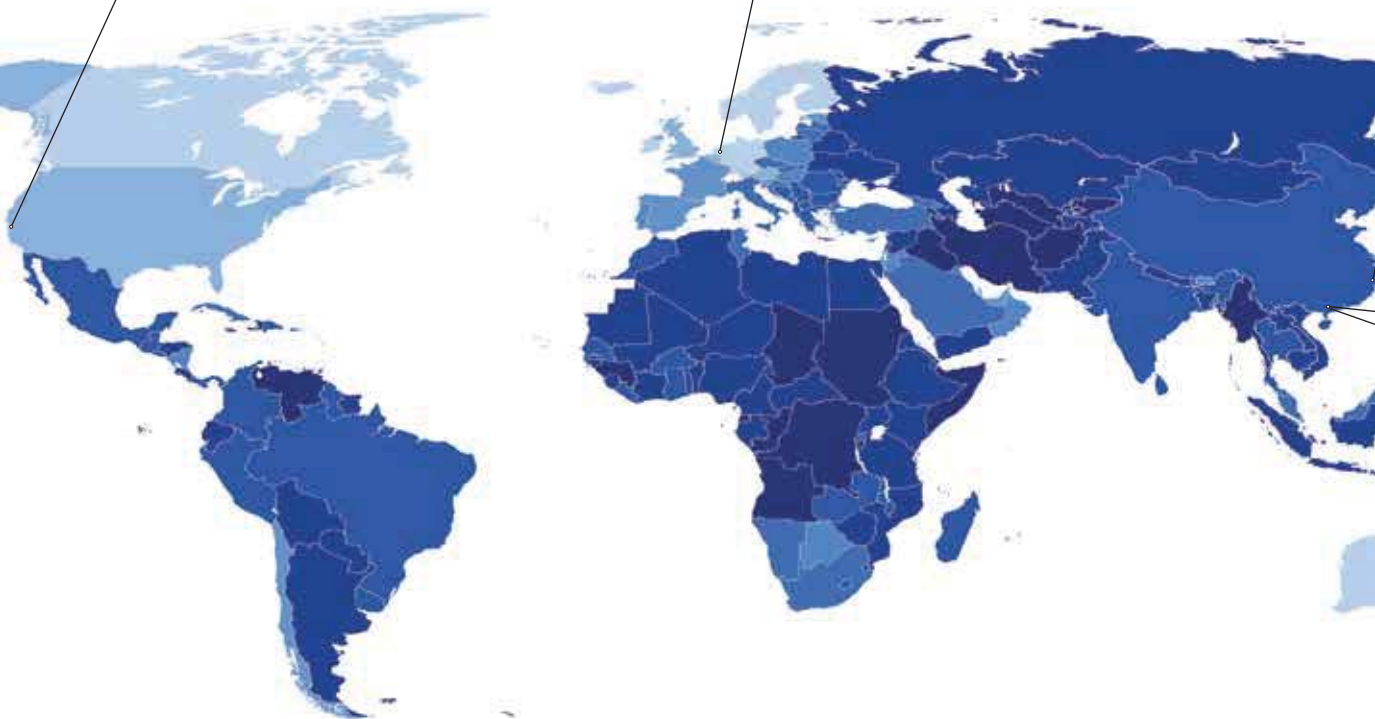
# Company Profile

Established in 1982, MEAN WELL is a leading standard switching power supply manufacturers in the world. MEAN WELL currently operates under six financially independent but cooperating companies in Taiwan, China, USA and Europe and four factories in Taiwan, GuanZhou and SuZhou. The product lines include AC/DC switching power supplies, DC/DC converters, waterproof LED power supplies, DC/AC inverters and battery chargers. We have over 9,000 standard models widely used in medical, automation, communication, LED lighting, moving sign, and office automation fields.

MEAN WELL USA



MEAN WELL EUROPE



With more than 30 years of experience in R&D and production of standard power supplies, MEAN WELL has ten product category covering 9,000 models, to provide “One Stop Shopping” power solutions. Every product in the MEAN WELL range is the result of rigid procedures governing design, design verification test (DVT), design quality test (DQT), component selection, pilot-run production, and mass production.

With more than 200 distributors globally, the MEAN WELL products are distributed to over 70 countries worldwide. The small size orders can expect delivery within 24 hours without MOQ requirement. If you are looking for switching power supply with high reliability, good quality, reasonable price and full series products which can satisfy your various demands, MEAN WELL, a total solution provider, is definitely your first choice!

MEAN WELL SUZHOU



MEAN WELL TAIWAN



MEAN WELL GUANGZHOU



MEAN WELL GUANGZHOU INDUSTRIAL PARK



# Reliable Quality

The brand name "MEAN WELL" is defined as "have good intentions". We strongly believe that the product quality is the life of power supply manufacturer. "To become the reliable power partner" has been the motivation for MEAN WELL to grow continuously.

In 1994, MEAN WELL acquired the ISO9001 certification and began to implement the total quality management (TQM) system, which are audited by TUV annually to continuous review and improvement. In April 2013, MEAN WELL acquired the ISO14000 certification and obtained the OHSAS18001 system (ESH, environmental safety and health) in 2015, to take the concept of environmental protection into action, and expect to create a safe and healthy life.



OHSAS18001



ISO9001



ISO14000

MEAN WELL DC/DC converter products comply with CB / UL / CE /FCC.



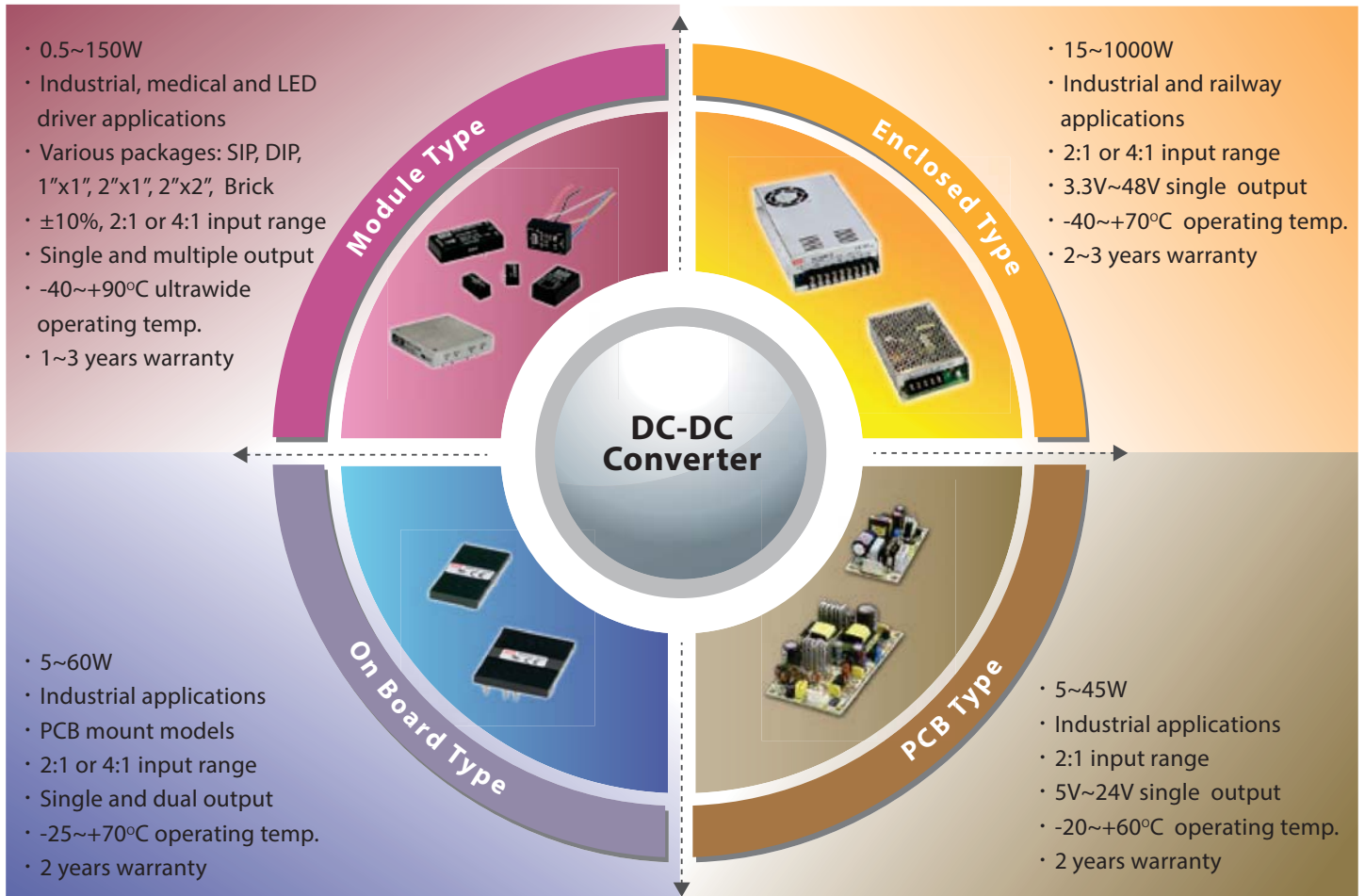


MEAN WELL has a complete quality management system. To ensure product quality, 100% burn-in test, function test and pressure test have been applied in manufacturing process, while the MIL-105E sampling method used in IQC, PCBQC (semi-finished products testing) and FQC phases. In the R&D stage, MEAN WELL quality engineers customize the "Test Plan" for each product, to complete the verifications of DFMEA, DVT/DQT, ORT, EMC, drop test, vibration test, thermal shock test, and reliability test.

In production stage, the product engineers co-work with process engineers to review the pilot run, semi-finished products quality control, process checking, finished product quality control, and the feedback analysis as well as the production problems occurred.



# Product Range



## DDR-15/30/60/120/240 Series 15~240W DIN Rail DC-DC Converter



Under Development

- Ultra slim design
- 2:1 / 4:1 wide input range
- Can be installed on DIN Rail TS-35/7.5 or 15
- Fanless design, cooling by free air convection
- -40~+85°C wide operating temperature
- DC output adjustable (±10%)
- 3KVDC I/O isolation
- Output models: 5V / 12V / 15V / 24V / 48V, ±12V
- 3 years warranty

MEAN WELL DC-DC product lines can be categorized into four categories—Enclosed, PCB, On-board, and module type by appearance, installation methods, and application sites. Currently, there are over 100 series and 900 models with covering 0.5 ~ 1000W. To meet the demands of terminal system equipment, MEAN WELL organizes multiple categories and various DC-DC converters, which can also be divided into I/O isolation and non-isolated, regulated and non-regulated,  $\pm 10\%$ , 2: 1, 3: 1, and 4: 1 input voltage range and single, dual, and triple output voltage. MEAN WELL products can fully meet designers' needs for one-stop shopping and application for diverse usage, such as industrial automation control, power electronics, telecom, railway, medical, LED lighting, security control, distributed power, etc. In addition, MEAN WELL R & D team not only continually strives for excellence, but releases new and competitive DC-DC converter to meet market demands.

The usage method of DC-DC converter is its front end collocating with AC-DC power supply or battery. The common application includes boost, buck, regulator in system equipment and improving system isolation, system wiring voltage reduce compensation, and system security, etc.

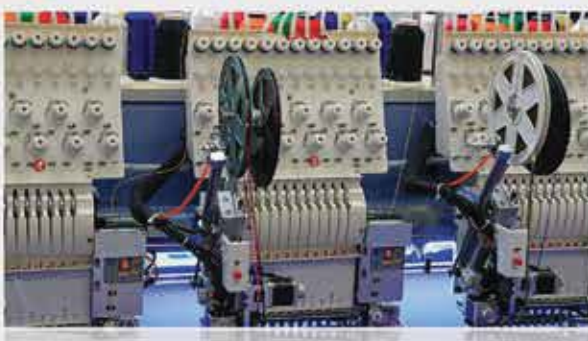
Automated hematology analyzer



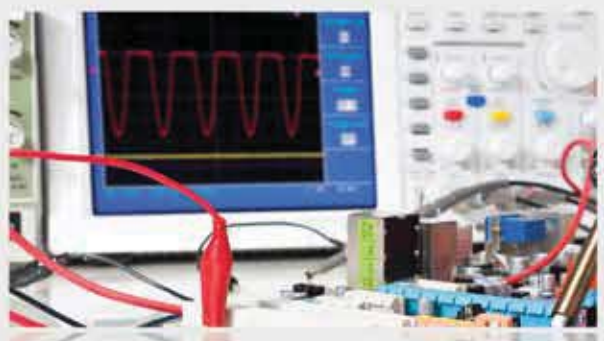
Railway instrument panel



Embroidery machine



Oscilloscope



# Enclosed Type



## Features

- 15~1000W complete wattage for choice
- 2:1 / 4:1 wide input range
- Single output voltage from 5V to 48V available
- 1U low profile (except for SD-150~500)
- I/O isolated
- Compliance to EN55015/EN45545-2 railway standard (RSD-30~300)
- -40~+70°C wide operating temperature
- 3 years warranty for RSD series  
2 years warranty for SD series





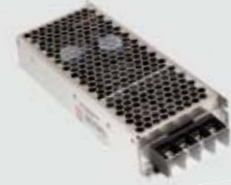
▲ RSD-30  
113x 60x 25mm



▲ RSD-60  
126x 60x 25mm



▲ RSD-100  
161x 68x 36mm



▲ RSD-150  
189x 77x 36mm

## RSD-30



Model No.	Wattage	Vin	Vout	Iout	Isolation voltage	Operating temperature	Safety
RSD-30G-3.3	20W	24V (9~36V)	3.3V	6A	4KVDC	-40~+70°C	CE (EN50155/EN55032)
RSD-30G-5	30W	24V (9~36V)	5V	6A	4KVDC	-40~+70°C	CE (EN50155/EN55032)
RSD-30G-12	30W	24V (9~36V)	12V	2.5A	4KVDC	-40~+70°C	CE (EN50155/EN55032)
RSD-30G-24	30W	24V (9~36V)	24V	1.25A	4KVDC	-40~+70°C	CE (EN50155/EN55032)
RSD-30L-3.3	20W	48V (18~72V)	3.3V	6A	4KVDC	-40~+70°C	CE (EN50155/EN55032)
RSD-30L-5	30W	48V (18~72V)	5V	6A	4KVDC	-40~+70°C	CE (EN50155/EN55032)
RSD-30L-12	30W	48V (18~72V)	12V	2.5A	4KVDC	-40~+70°C	CE (EN50155/EN55032)
RSD-30L-24	30W	48V (18~72V)	24V	1.25A	4KVDC	-40~+70°C	CE (EN50155/EN55032)
RSD-30H-3.3	20W	96V, 110V (40~160V)	3.3V	6A	4KVDC	-40~+70°C	CE (EN50155/EN55032)
RSD-30H-5	30W	96V, 110V (40~160V)	5V	6A	4KVDC	-40~+70°C	CE (EN50155/EN55032)
RSD-30H-12	30W	96V, 110V (40~160V)	12V	2.5A	4KVDC	-40~+70°C	CE (EN50155/EN55032)
RSD-30H-24	30W	96V, 110V (40~160V)	24V	1.25A	4KVDC	-40~+70°C	CE (EN50155/EN55032)

## RSD-60



Model No.	Wattage	Vin	Vout	Iout	Isolation voltage	Operating temperature	Safety
RSD-60G-3.3	40W	24V (9~36V)	3.3V	6A	4KVDC	-40~+70°C	CE (EN50155/EN55032)
RSD-60G-5	60W	24V (9~36V)	5V	6A	4KVDC	-40~+70°C	CE (EN50155/EN55032)
RSD-60G-12	60W	24V (9~36V)	12V	2.5A	4KVDC	-40~+70°C	CE (EN50155/EN55032)
RSD-60G-24	60W	24V (9~36V)	24V	1.25A	4KVDC	-40~+70°C	CE (EN50155/EN55032)
RSD-60L-3.3	40W	48V (18~72V)	3.3V	6A	4KVDC	-40~+70°C	CE (EN50155/EN55032)
RSD-60L-5	60W	48V (18~72V)	5V	6A	4KVDC	-40~+70°C	CE (EN50155/EN55032)
RSD-60L-12	60W	48V (18~72V)	12V	2.5A	4KVDC	-40~+70°C	CE (EN50155/EN55032)
RSD-60L-24	60W	48V (18~72V)	24V	1.25A	4KVDC	-40~+70°C	CE (EN50155/EN55032)
RSD-60H-3.3	40W	96V, 110V (40~110V)	3.3V	6A	4KVDC	-40~+70°C	CE (EN50155/EN55032)
RSD-60H-5	60W	96V, 110V (40~110V)	5V	6A	4KVDC	-40~+70°C	CE (EN50155/EN55032)
RSD-60H-12	60W	96V, 110V (40~110V)	12V	2.5A	4KVDC	-40~+70°C	CE (EN50155/EN55032)
RSD-60H-24	60W	96V, 110V (40~110V)	24V	1.25A	4KVDC	-40~+70°C	CE (EN50155/EN55032)

## RSD-100



Model No.	Wattage	Vin	Vout	Iout	Isolation voltage	Operating temperature	Safety
RSD-100B-5	100W	24V (16.8 ~ 31.2V)	5V	20A	4KVDC	-40~+70°C	CE (EN50155/EN55032)
RSD-100B-12	100W	24V (16.8 ~ 31.2V)	12V	8.4A	4KVDC	-40~+70°C	CE (EN50155/EN55032)
RSD-100B-24	100W	24V (16.8 ~ 31.2V)	24V	4.2A	4KVDC	-40~+70°C	CE (EN50155/EN55032)
RSD-100C-5	100W	48V (33.6 ~ 62.4V)	5V	20A	4KVDC	-40~+70°C	CE (EN50155/EN55032)
RSD-100C-12	100W	48V (33.6 ~ 62.4V)	12V	8.4A	4KVDC	-40~+70°C	CE (EN50155/EN55032)
RSD-100C-24	100W	48V (33.6 ~ 62.4V)	24V	4.2A	4KVDC	-40~+70°C	CE (EN50155/EN55032)
RSD-100D-5	100W	96V, 110V(67.2~143V)	5V	20A	4KVDC	-40~+70°C	CE (EN50155/EN55032)
RSD-100D-12	100W	96V, 110V(67.2~143V)	12V	8.4A	4KVDC	-40~+70°C	CE (EN50155/EN55032)
RSD-100D-24	100W	96V, 110V(67.2~143V)	24V	4.2A	4KVDC	-40~+70°C	CE (EN50155/EN55032)

## RSD-150



Model No.	Wattage	Vin	Vout	Iout	Isolation voltage	Operating temperature	Safety
RSD-150B-5	150W	24V (16.8~31.2V)	5V	30A	4KVDC	-40~+70°C	CE (EN50155/EN55032)
RSD-150B-12	150W	24V (16.8~31.2V)	12V	12.5A	4KVDC	-40~+70°C	CE (EN50155/EN55032)
RSD-150B-24	151W	24V (16.8~31.2V)	24V	6.3A	4KVDC	-40~+70°C	CE (EN50155/EN55032)
RSD-150C-5	150W	48V (33.6~62.4V)	5V	30A	4KVDC	-40~+70°C	CE (EN50155/EN55032)
RSD-150C-12	150W	48V (33.6~62.4V)	12V	12.5A	4KVDC	-40~+70°C	CE (EN50155/EN55032)
RSD-150C-24	151W	48V (33.6~62.4V)	24V	6.3A	4KVDC	-40~+70°C	CE (EN50155/EN55032)
RSD-150D-5	150W	96V, 110V (67.2~143V)	5V	30A	4KVDC	-40~+70°C	CE (EN50155/EN55032)
RSD-150D-12	150W	96V, 110V (67.2~143V)	12V	12.5A	4KVDC	-40~+70°C	CE (EN50155/EN55032)
RSD-150D-24	151W	96V, 110V (67.2~143V)	24V	6.3A	4KVDC	-40~+70°C	CE (EN50155/EN55032)

## ■ Enclosed Type 15~1000W



▲ RSD-200  
191x 86x 40mm



▲ RSD-300  
216x 97x 40mm

### ■ RSD-200



Model No.	Wattage	Vin	Vout	Iout	Isolation voltage	Operating temperature	Safety
RSD-200B-12	200W	24V (16.8~31.2V)	12V	16.7A	4KVDC	-40~+70°C	CE (EN50155/EN55032)
RSD-200B-24	202W	24V (16.8~31.2V)	24V	8.4A	4KVDC	-40~+70°C	CE (EN50155/EN55032)
RSD-200B-48	202W	24V (16.8~31.2V)	48V	4.2A	4KVDC	-40~+70°C	CE (EN50155/EN55032)
RSD-200C-12	200W	48V (33.6~62.4V)	12V	16.7A	4KVDC	-40~+70°C	CE (EN50155/EN55032)
RSD-200C-24	202W	48V (33.6~62.4V)	24V	8.4A	4KVDC	-40~+70°C	CE (EN50155/EN55032)
RSD-200C-48	202W	48V (33.6~62.4V)	48V	4.2A	4KVDC	-40~+70°C	CE (EN50155/EN55032)
RSD-200D-12	200W	96V, 110V (67.2~143V)	12V	16.7A	4KVDC	-40~+70°C	CE (EN50155/EN55032)
RSD-200D-24	202W	96V, 110V (67.2~143V)	24V	8.4A	4KVDC	-40~+70°C	CE (EN50155/EN55032)
RSD-200D-48	202W	96V, 110V (67.2~143V)	48V	4.2A	4KVDC	-40~+70°C	CE (EN50155/EN55032)

### ■ RSD-300



Model No.	Wattage	Vin	Vout	Iout	Isolation voltage	Operating temperature	Safety
RSD-300B-5	210W	24V (16.8~31.2V)	5V	42A	4KVDC	-40~+70°C	CE (EN50155/EN55032)
RSD-300B-12	270W	24V (16.8~31.2V)	12V	22.5A	4KVDC	-40~+70°C	CE (EN50155/EN55032)
RSD-300B-24	271W	24V (16.8~31.2V)	24V	11.3A	4KVDC	-40~+70°C	CE (EN50155/EN55032)
RSD-300B-48	274W	24V (16.8~31.2V)	48V	5.7A	4KVDC	-40~+70°C	CE (EN50155/EN55032)
RSD-300C-5	210W	48V (33.6~62.4V)	5V	42A	4KVDC	-40~+70°C	CE (EN50155/EN55032)
RSD-300C-12	300W	48V (33.6~62.4V)	12V	25A	4KVDC	-40~+70°C	CE (EN50155/EN55032)
RSD-300C-24	300W	48V (33.6~62.4V)	24V	12.5A	4KVDC	-40~+70°C	CE (EN50155/EN55032)
RSD-300C-48	302W	48V (33.6~62.4V)	48V	6.3A	4KVDC	-40~+70°C	CE (EN50155/EN55032)
RSD-300D-5	210W	96V, 110V (67.2~143V)	5V	42A	4KVDC	-40~+70°C	CE (EN50155/EN55032)
RSD-300D-12	300W	96V, 110V (67.2~143V)	12V	25A	4KVDC	-40~+70°C	CE (EN50155/EN55032)
RSD-300D-24	300W	96V, 110V (67.2~143V)	24V	12.5A	4KVDC	-40~+70°C	CE (EN50155/EN55032)
RSD-300D-48	302W	96V, 110V (67.2~143V)	48V	6.3A	4KVDC	-40~+70°C	CE (EN50155/EN55032)
RSD-300E-5	210W	36V (25.2~46.8V)	5V	42A	4KVDC	-40~+70°C	CE (EN50155/EN55032)
RSD-300E-12	300W	36V (25.2~46.8V)	12V	25A	4KVDC	-40~+70°C	CE (EN50155/EN55032)
RSD-300E-24	300W	36V (25.2~46.8V)	24V	12.5A	4KVDC	-40~+70°C	CE (EN50155/EN55032)
RSD-300E-48	302W	36V (25.2~46.8V)	48V	6.3A	4KVDC	-40~+70°C	CE (EN50155/EN55032)
RSD-300F-5	210W	72V (50.4~93.6V)	5V	42A	4KVDC	-40~+70°C	CE (EN50155/EN55032)
RSD-300F-12	300W	72V (50.4~93.6V)	12V	25A	4KVDC	-40~+70°C	CE (EN50155/EN55032)
RSD-300F-24	300W	72V (50.4~93.6V)	24V	12.5A	4KVDC	-40~+70°C	CE (EN50155/EN55032)
RSD-300F-48	302W	72V (50.4~93.6V)	48V	6.3A	4KVDC	-40~+70°C	CE (EN50155/EN55032)



▲ SD-15  
78x 51x 28mm



▲ SD-25  
99x 97x 36mm



▲ SD-50  
159x 97x 38mm

## SD-15

Model No.	Wattage	Vin	Vout	Iout	Isolation voltage	Operating temperature	Safety
SD-15A-5	15W	12V (9.2~18V)	5V	3A	1.5KVAC	-10~+60°C	CE
SD-15A-12	15W	12V (9.2~18V)	1.2V	1.25A	1.5KVAC	-10~+60°C	CE
SD-15A-24	15W	12V (9.2~18V)	2.4V	0.625A	1.5KVAC	-10~+60°C	CE
SD-15B-5	15W	24V (18~36V)	5V	3A	1.5KVAC	-10~+60°C	CE
SD-15B-12	15W	24V (18~36V)	1.2V	1.25A	1.5KVAC	-10~+60°C	CE
SD-15B-24	15W	24V (18~36V)	2.4V	0.625A	1.5KVAC	-10~+60°C	CE
SD-15C-5	15W	48V (36~72V)	5V	3A	1.5KVAC	-10~+60°C	CE
SD-15C-12	15W	48V (36~72V)	1.2V	1.25A	1.5KVAC	-10~+60°C	CE
SD-15C-24	15W	48V (36~72V)	2.4V	0.625A	1.5KVAC	-10~+60°C	CE

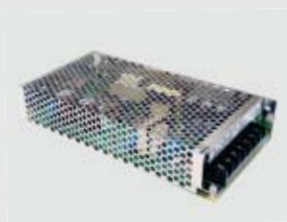
## SD-25

Model No.	Wattage	Vin	Vout	Iout	Isolation voltage	Operating temperature	Safety
SD-25A-5	25W	12V (9.2~18V)	5V	5A	1.5KVAC	-10~+60°C	CE
SD-25A-12	25W	12V (9.2~18V)	1.2V	2.1A	1.5KVAC	-10~+60°C	CE
SD-25A-24	26W	12V (9.2~18V)	2.4V	1.1A	1.5KVAC	-10~+60°C	CE
SD-25B-5	25W	24V (18~36V)	5V	5A	1.5KVAC	-10~+60°C	CE
SD-25B-12	25W	24V (18~36V)	1.2V	2.1A	1.5KVAC	-10~+60°C	CE
SD-25B-24	26W	24V (18~36V)	2.4V	1.1A	1.5KVAC	-10~+60°C	CE
SD-25C-5	25W	48V (36~72V)	5V	5A	1.5KVAC	-10~+60°C	CE
SD-25C-12	25W	48V (36~72V)	1.2V	2.1A	1.5KVAC	-10~+60°C	CE
SD-25C-24	26W	48V (36~72V)	2.4V	1.1A	1.5KVAC	-10~+60°C	CE

## SD-50

Model No.	Wattage	Vin	Vout	Iout	Isolation voltage	Operating temperature	Safety
SD-50A-5	50W	12V (9.2~18V)	5V	10A	1.5KVAC	-10~+60°C	CE
SD-50A-12	50W	12V (9.2~18V)	1.2V	4.2A	1.5KVAC	-10~+60°C	CE
SD-50A-24	50W	12V (9.2~18V)	2.4V	2.1A	1.5KVAC	-10~+60°C	CE
SD-50B-5	50W	24V (18~36V)	5V	10A	1.5KVAC	-10~+60°C	CE
SD-50B-12	50W	24V (18~36V)	1.2V	4.2A	1.5KVAC	-10~+60°C	CE
SD-50B-24	50W	24V (18~36V)	2.4V	2.1A	1.5KVAC	-10~+60°C	CE
SD-50C-5	50W	48V (36~72V)	5V	10A	1.5KVAC	-10~+60°C	CE
SD-50C-12	50W	48V (36~72V)	1.2V	4.2A	1.5KVAC	-10~+60°C	CE
SD-50C-24	50W	48V (36~72V)	2.4V	2.1A	1.5KVAC	-10~+60°C	CE

## ■ Enclosed Type 15~1000W



▲ SD-100  
199x 98x 38mm



▲ SD-150  
199x 110x 50mm



▲ SD-200  
215x 115x 50mm

### ■ SD-100

Model No.	Wattage	Vin	Vout	Iout	Isolation voltage	Operating temperature	Safety
SD-100A-5	100W	12V (9~18V)	5V	20A	1.5KVAC	-10~+60°C	CE
SD-100A-12	102W	12V (9~18V)	12V	8.5A	1.5KVAC	-10~+60°C	CE
SD-100A-24	100W	12V (9~18V)	24V	4.2A	1.5KVAC	-10~+60°C	CE
SD-100B-5	100W	24V (19~36V)	5V	20A	1.5KVAC	-10~+60°C	CE
SD-100B-12	102W	24V (19~36V)	12V	8.5A	1.5KVAC	-10~+60°C	CE
SD-100B-24	100W	24V (19~36V)	24V	4.2A	1.5KVAC	-10~+60°C	CE
SD-100C-5	100W	48V (36~72V)	5V	20A	1.5KVAC	-10~+60°C	CE
SD-100C-12	102W	48V (36~72V)	12V	8.5A	1.5KVAC	-10~+60°C	CE
SD-100C-24	100W	48V (36~72V)	24V	4.2A	1.5KVAC	-10~+60°C	CE
SD-100D-5	100W	96V,110V (72~144V)	5V	20A	1.5KVAC	-10~+60°C	CE / CB
SD-100D-12	102W	96V,110V (72~144V)	12V	8.5A	1.5KVAC	-10~+60°C	CE / CB
SD-100D-24	100W	96V,110V (72~144V)	24V	4.2A	1.5KVAC	-10~+60°C	CE / CB

### ■ SD-150

Model No.	Wattage	Vin	Vout	Iout	Isolation voltage	Operating temperature	Safety
SD-150B-12	150W	24V (19~36V)	12V	12.5A	1.5KVAC	-10~+60°C	CE
SD-150B-24	151W	24V (19~36V)	24V	6.3A	1.5KVAC	-10~+60°C	CE
SD-150C-12	150W	48V (36~72V)	12V	12.5A	1.5KVAC	-10~+60°C	CE
SD-150C-24	151W	48V (36~72V)	24V	6.3A	1.5KVAC	-10~+60°C	CE
SD-150D-12	150W	96V, 110V (72~144V)	12V	12.5A	1.5KVAC	-10~+60°C	CE / CB
SD-150D-24	151W	96V, 110V (72~144V)	24V	6.3A	1.5KVAC	-10~+60°C	CE / CB

### ■ SD-200

Model No.	Wattage	Vin	Vout	Iout	Isolation voltage	Operating temperature	Safety
SD-200B-5	170W	24V (19~36V)	5V	34A	1.5KVAC	-20~+60°C	CE
SD-200B-12	200W	24V (19~36V)	12V	16.7A	1.5KVAC	-20~+60°C	CE
SD-200B-24	202W	24V (19~36V)	24V	8.4A	1.5KVAC	-20~+60°C	CE
SD-200B-48	202W	24V (19~36V)	48V	4.2A	1.5KVAC	-20~+60°C	CE
SD-200C-5	200W	48V (36~72V)	5V	40A	1.5KVAC	-20~+60°C	CE
SD-200C-12	200W	48V (36~72V)	12V	16.7A	1.5KVAC	-20~+60°C	CE
SD-200C-24	202W	48V (36~72V)	24V	8.4A	1.5KVAC	-20~+60°C	CE / UL
SD-200C-48	202W	48V (36~72V)	48V	4.2A	1.5KVAC	-20~+60°C	CE
SD-200D-5	200W	96V, 110V (72~144V)	5V	40A	1.5KVAC	-20~+60°C	CE / CB
SD-200D-12	200W	96V, 110V (72~144V)	12V	16.7A	1.5KVAC	-20~+60°C	CE / CB
SD-200D-24	202W	96V, 110V (72~144V)	24V	8.4A	1.5KVAC	-20~+60°C	CE / CB
SD-200D-48	202W	96V, 110V (72~144V)	48V	4.2A	1.5KVAC	-20~+60°C	CE / CB



▲ SD-350  
215x 115x 50mm



▲ SD-500  
215x 115x 50mm



▲ SD-1000  
295x 127x 41mm

## SD-350

Model No.	Wattage	Vin	Vout	Iout	Isolation voltage	Operating temperature	Safety
SD-350B-5	285W	24V (19~36V)	5V	57A	1.5KVAC	-20~+60°C	CE
SD-350B-12	330W	24V (19~36V)	12V	27.5A	1.5KVAC	-20~+60°C	CE
SD-350B-24	350W	24V (19~36V)	24V	14.6A	1.5KVAC	-20~+60°C	CE
SD-350B-48	350W	24V (19~36V)	48V	7.3A	1.5KVAC	-20~+60°C	CE
SD-350C-5	300W	48V (36~72V)	5V	60A	1.5KVAC	-20~+60°C	CE
SD-350C-12	330W	48V (36~72V)	12V	27.5A	1.5KVAC	-20~+60°C	CE
SD-350C-24	350W	48V (36~72V)	24V	14.6A	1.5KVAC	-20~+60°C	CE
SD-350C-48	350W	48V (36~72V)	48V	7.3A	1.5KVAC	-20~+60°C	CE
SD-350D-5	300W	96V, 110V (72~144V)	5V	60A	1.5KVAC	-20~+60°C	CE / CB
SD-350D-12	350W	96V, 110V (72~144V)	12V	27.5A	1.5KVAC	-20~+60°C	CE / CB
SD-350D-24	350W	96V, 110V (72~144V)	24V	14.6A	1.5KVAC	-20~+60°C	CE / CB
SD-350D-48	350W	96V, 110V (72~144V)	48V	7.3A	1.5KVAC	-20~+60°C	CE / CB

## SD-500

Model No.	Wattage	Vin	Vout	Iout	Isolation voltage	Operating temperature	Safety
SD-500L-12	480W	48V (19~72V)	12V	40A	2KVAC	-20~+60°C	CE / CB
SD-500L-24	504W	48V (19~72V)	24V	21A	2KVAC	-20~+60°C	CE / CB
SD-500L-48	504W	48V (19~72V)	48V	10.5A	2KVAC	-20~+60°C	CE / CB
SD-500H-12	480W	96V, 110V (72~144V)	12V	40A	2KVAC	-20~+60°C	CE / CB
SD-500H-24	504W	96V, 110V (72~144V)	24V	21A	2KVAC	-20~+60°C	CE / CB
SD-500H-48	504W	96V, 110V (72~144V)	48V	10.5A	2KVAC	-20~+60°C	CE / CB

## SD-1000

Model No.	Wattage	Vin	Vout	Iout	Isolation voltage	Operating temperature	Safety
SD-1000L-12	720W	48V (19~72V)	12V	60A	2KVAC	-20~+60°C	CE / CB
SD-1000L-24	960W	48V (19~72V)	24V	40A	2KVAC	-20~+60°C	CE / CB
SD-1000L-48	1008W	48V (19~72V)	48V	21A	2KVAC	-20~+60°C	CE / CB
SD-1000H-12	720W	96V, 110V (72~144V)	12V	60A	2KVAC	-20~+60°C	CE / CB
SD-1000H-24	960W	96V, 110V (72~144V)	24V	40A	2KVAC	-20~+60°C	CE / CB
SD-1000H-48	1008W	96V, 110V (72~144V)	48V	21A	2KVAC	-20~+60°C	CE / CB

# PCB Type



Automate



Industrial



Security



Network



Telecom



## Features

- 5~45W
- Compact size & Open frame design
- 2:1 wide input range
- Single output voltage from 5V to 24V available
- I/O isolated
- Cooling by free air convection
- 2 years warranty



▲ PSD-05  
75x 40x 20mm



▲ PSD-15  
94x 49x 25mm



▲ PSD-30  
101.6x 50.8x 30mm



▲ PSD-45  
127x 76x 30mm

## PSD-05

Model No.	Wattage	Vin	Vout	Iout	Isolation voltage	Operating temperature	Safety
PSD-05-05	5W	48V (36~72V)	5V	1A	1.5KVAC	-10~+60°C	CE
PSD-05-12	5W	48V (36~72V)	12V	0.45A	1.5KVAC	-10~+60°C	CE
PSD-05-24	5W	48V (36~72V)	24V	0.22A	1.5KVAC	-10~+60°C	CE

## PSD-15

Model No.	Wattage	Vin	Vout	Iout	Isolation voltage	Operating temperature	Safety
PSD-15A-05	15W	12V (9.2~18V)	5V	3A	1.5KVAC	-10~+60°C	CE
PSD-15A-12	15W	12V (9.2~18V)	12V	1.25A	1.5KVAC	-10~+60°C	CE
PSD-15A-24	14W	12V (9.2~18V)	24V	0.6A	1.5KVAC	-10~+60°C	CE
PSD-15B-05	15W	24V (18~36V)	5V	3A	1.5KVAC	-10~+60°C	CE
PSD-15B-12	15W	24V (18~36V)	12V	1.25A	1.5KVAC	-10~+60°C	CE
PSD-15B-24	14W	24V (18~36V)	24V	0.6A	1.5KVAC	-10~+60°C	CE
PSD-15C-05	15W	48V (36~72V)	5V	3A	1.5KVAC	-10~+60°C	CE
PSD-15C-12	15W	48V (36~72V)	12V	1.25A	1.5KVAC	-10~+60°C	CE
PSD-15C-24	14W	48V (36~72V)	24V	0.6A	1.5KVAC	-10~+60°C	CE

## PSD-30

Model No.	Wattage	Vin	Vout	Iout	Isolation voltage	Operating temperature	Safety
PSD-30A-05	25W	12V (9~18V)	5V	5A	1.5KVAC	-20~+60°C	CE
PSD-30A-12	30W	12V (9~18V)	12V	2.5A	1.5KVAC	-20~+60°C	CE
PSD-30A-24	30W	12V (9~18V)	24V	1.25A	1.5KVAC	-20~+60°C	CE
PSD-30B-05	25W	24V (18~36V)	5V	5A	1.5KVAC	-20~+60°C	CE
PSD-30B-12	30W	24V (18~36V)	12V	2.5A	1.5KVAC	-20~+60°C	CE
PSD-30B-24	30W	24V (18~36V)	24V	1.25A	1.5KVAC	-20~+60°C	CE
PSD-30C-05	25W	48V (36~72V)	5V	5A	1.5KVAC	-20~+60°C	CE
PSD-30C-12	30W	48V (36~72V)	12V	2.5A	1.5KVAC	-20~+60°C	CE
PSD-30C-24	30W	48V (36~72V)	24V	1.25A	1.5KVAC	-20~+60°C	CE

## PSD-45

Model No.	Wattage	Vin	Vout	Iout	Isolation voltage	Operating temperature	Safety
PSD-45A-05	30W	12V (9.2~18V)	5V	6A	1.5KVAC	-10~+60°C	CB / CE
PSD-45A-12	30W	12V (9.2~18V)	12V	2.5A	1.5KVAC	-10~+60°C	CB / CE
PSD-45A-24	30W	12V (9.2~18V)	24V	1.25A	1.5KVAC	-10~+60°C	CB / CE
PSD-45B-05	45W	24V (18~36V)	5V	9A	1.5KVAC	-10~+60°C	CB / CE
PSD-45B-12	45W	24V (18~36V)	12V	3.75A	1.5KVAC	-10~+60°C	CB / CE
PSD-45B-24	45W	24V (18~36V)	24V	1.875A	1.5KVAC	-10~+60°C	CB / CE
PSD-45C-05	45W	48V (36~72V)	5V	9A	1.5KVAC	-10~+60°C	CB / CE
PSD-45C-12	45W	48V (36~72V)	12V	3.75A	1.5KVAC	-10~+60°C	CB / CE
PSD-45C-24	45W	48V (36~72V)	24V	1.875A	1.5KVAC	-10~+60°C	CB / CE

# On Board Type



Automate



Industrial



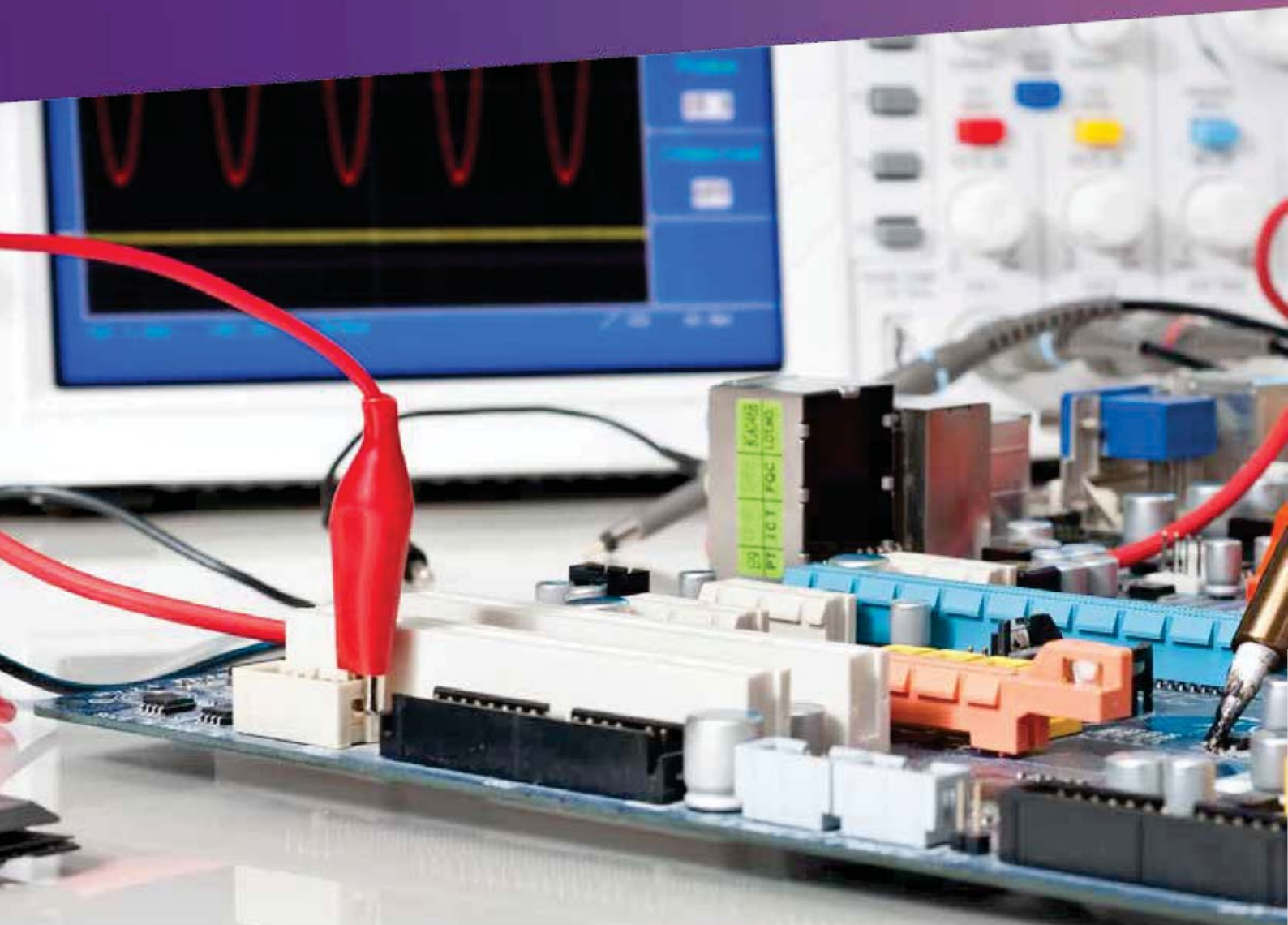
Security



Network



Telecom



## Features

- Compact size & On board mounting design
- 3:1 / 4:1 wide input range
- Single and dual output models available
- I/O non-isolated (NID series)  
I/O isolated (NSD series)
- Cooling by free air convection
- Remote ON/OFF control, output voltage trimming
- 2 years warranty

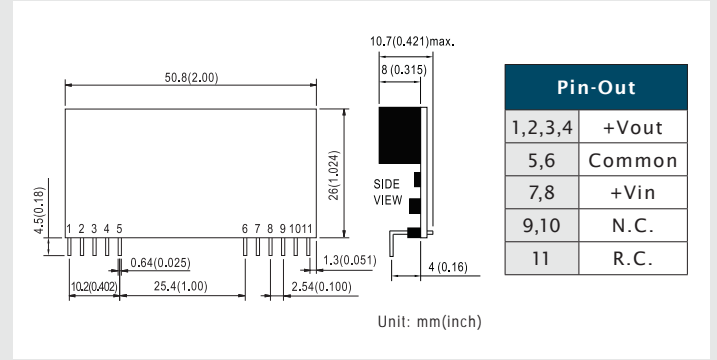
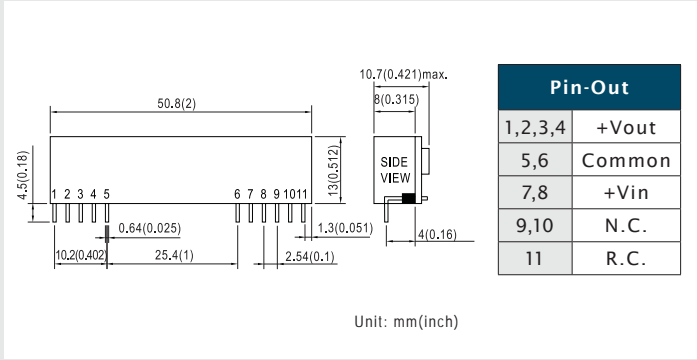




▲ NID-30  
2" x 0.512" x 0.421"



▲ NID-60  
2" x 1.024" x 0.421"



### NID30

Model No.	Wattage	Vin	Vout	Iout	Isolation voltage	Operating temperature	Safety
NID30S24-05	12W	24V (20~53V)	5V	2.5A	NA	-25~+65°C	NA
NID30S24-12	30W	24V (20~53V)	12V	2.5A	NA	-25~+65°C	NA
NID30S24-15	30W	24V (20~53V)	15V	2A	NA	-25~+65°C	NA
NID30S48-24	30W	48V (30~53V)	24V	1.25A	NA	-25~+65°C	NA

### NID60

Model No.	Wattage	Vin	Vout	Iout	Isolation voltage	Operating temperature	Safety
NID60S24-05	20W	24V (20~53V)	5V	4A	NA	-25~+65°C	NA
NID60S24-12	48W	24V (20~53V)	12V	4A	NA	-25~+65°C	NA
NID60S24-15	60W	24V (20~53V)	15V	4A	NA	-25~+65°C	NA
NID60S48-24	60W	48V (30~53V)	24V	2.5A	NA	-25~+65°C	NA

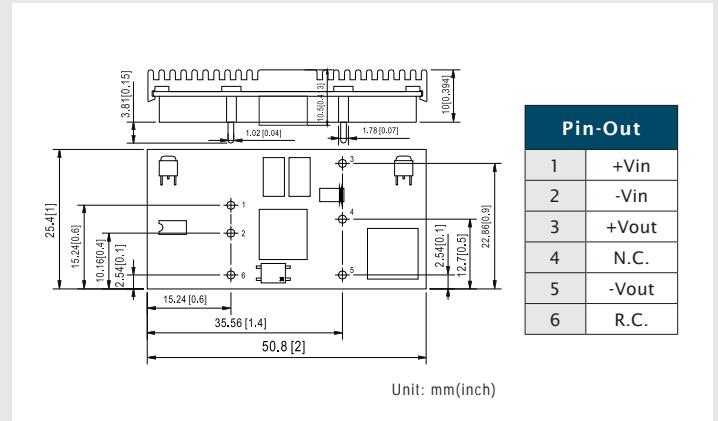
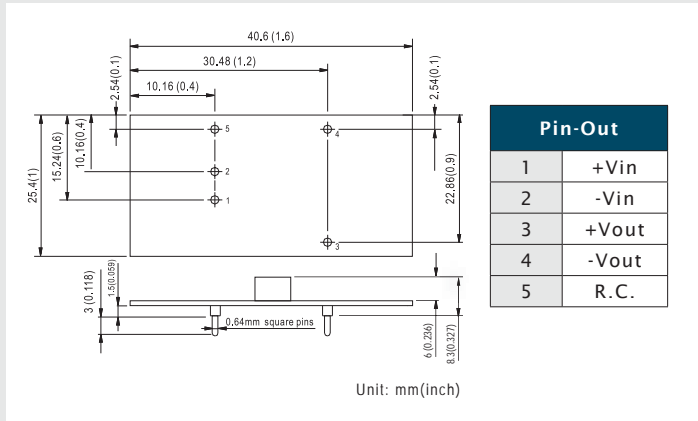
## ■ On Board Type 5~60W



▲ NSD05-S  
1.6" x 1" x 0.327"



▲ NSD10-S  
2" x 1" x 0.394"



## ■ NSD05-S

Model No.	Wattage	Vin	Vout	Iout	Isolation voltage	Operating temperature	Safety
NSD05-12S3	4W	12V (9.2~36V)	3.3V	1200mA	1KVDC	-25~+70°C	CB / CE
NSD05-12S5	5W	12V (9.2~36V)	5V	1000mA	1KVDC	-25~+70°C	CB / CE
NSD05-12S12	5W	12V (9.2~36V)	12V	420mA	1KVDC	-25~+70°C	CB / CE
NSD05-12S15	5W	12V (9.2~36V)	15V	330mA	1KVDC	-25~+70°C	CB / CE
NSD05-48S3	4W	48V (18~72V)	3.3V	1200mA	1KVDC	-25~+70°C	CB / CE
NSD05-48S5	5W	48V (18~72V)	5V	1000mA	1KVDC	-25~+70°C	CB / CE
NSD05-48S12	5W	48V (18~72V)	12V	420mA	1KVDC	-25~+70°C	CB / CE
NSD05-48S15	5W	48V (18~72V)	15V	330mA	1KVDC	-25~+70°C	CB / CE

## ■ NSD10-S

Model No.	Wattage	Vin	Vout	Iout	Isolation voltage	Operating temperature	Safety
NSD10-12S3	8W	12V (9.8~36V)	3.3V	2500mA	1KVDC	-25~+70°C	UL / CE
NSD10-12S5	10W	12V (9.8~36V)	5V	2000mA	1KVDC	-25~+70°C	UL / CE
NSD10-12S9	10W	12V (9.8~36V)	9V	1100mA	1KVDC	-25~+70°C	UL / CE
NSD10-12S12	10W	12V (9.8~36V)	12V	830mA	1KVDC	-25~+70°C	UL / CE
NSD10-12S15	10W	12V (9.8~36V)	15V	670mA	1KVDC	-25~+70°C	UL / CE
NSD10-48S3	8W	48V (22~72V)	3.3V	2500mA	1KVDC	-25~+70°C	UL / CE
NSD10-48S5	10W	48V (22~72V)	5V	2000mA	1KVDC	-25~+70°C	UL / CE
NSD10-48S9	10W	48V (22~72V)	9V	1100mA	1KVDC	-25~+70°C	UL / CE
NSD10-48S12	10W	48V (22~72V)	12V	830mA	1KVDC	-25~+70°C	UL / CE
NSD10-48S15	10W	48V (22~72V)	15V	670mA	1KVDC	-25~+70°C	UL / CE



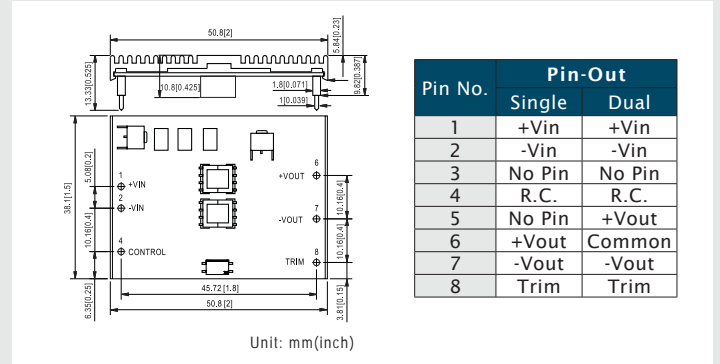
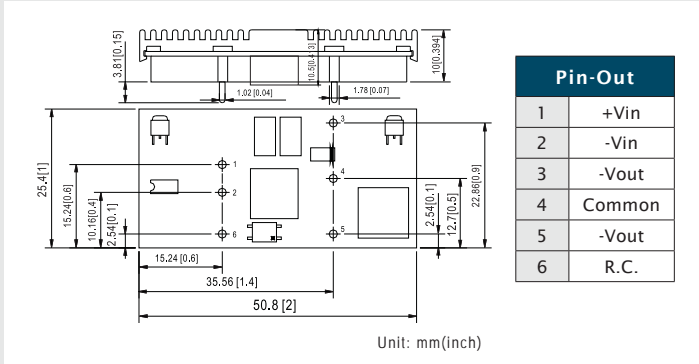
▲ NSD10-D  
2" x 1" x 0.394"



▲ NSD15-S  
2" x 1.5" x 0.387"



▲ NSD15-D  
2" x 1.5" x 0.387"



### NSD10-D

Model No.	Wattage	Vin	Vout	Iout	Isolation voltage	Operating temperature	Safety
NSD10-12D5	10W	12V (9.8~36V)	±5V	±1000mA	1KVDC	-25~+70°C	UL / CE
NSD10-12D12	10W	12V (9.8~36V)	±12V	±420mA	1KVDC	-25~+70°C	UL / CE
NSD10-12D15	10W	12V (9.8~36V)	±15V	±330mA	1KVDC	-25~+70°C	UL / CE
NSD10-48D5	10W	48V (22~72V)	±5V	±1000mA	1KVDC	-25~+70°C	UL / CE
NSD10-48D12	10W	48V (22~72V)	±12V	±420mA	1KVDC	-25~+70°C	UL / CE
NSD10-48D15	10W	48V (22~72V)	±15V	±330mA	1KVDC	-25~+70°C	UL / CE

### NSD15-S

Model No.	Wattage	Vin	Vout	Iout	Isolation voltage	Operating temperature	Safety
NSD15-12S3	12W	12V (9.4~36V)	3.3V	3750mA	1.5KVDC	-25~+70°C	UL / CE
NSD15-12S5	15W	12V (9.4~36V)	5V	3000mA	1.5KVDC	-25~+70°C	UL / CE
NSD15-12S12	15W	12V (9.4~36V)	12V	1250mA	1.5KVDC	-25~+70°C	UL / CE
NSD15-12S15	15W	12V (9.4~36V)	15V	1000mA	1.5KVDC	-25~+70°C	UL / CE
NSD15-48S3	12W	48V (18~72V)	3V	3750mA	1.5KVDC	-25~+70°C	UL / CE
NSD15-48S5	15W	48V (18~72V)	5V	3000mA	1.5KVDC	-25~+70°C	UL / CE
NSD15-48S12	15W	48V (18~72V)	12V	1250mA	1.5KVDC	-25~+70°C	UL / CE
NSD15-48S15	15W	48V (18~72V)	15V	1000mA	1.5KVDC	-25~+70°C	UL / CE

### NSD15-D

Model No.	Wattage	Vin	Vout	Iout	Isolation voltage	Operating temperature	Safety
NSD15-12D5	15W	12V (9.4~36V)	±5V	±1500mA	1.5KVDC	-25~+70°C	UL / CE
NSD15-12D12	15W	12V (9.4~36V)	±12V	±620mA	1.5KVDC	-25~+70°C	UL / CE
NSD15-12D15	15W	12V (9.4~36V)	±15V	±500mA	1.5KVDC	-25~+70°C	UL / CE
NSD15-48D5	15W	48V (18~72V)	±5V	±1500mA	1.5KVDC	-25~+70°C	UL / CE
NSD15-48D12	15W	48V (18~72V)	±12V	±620mA	1.5KVDC	-25~+70°C	UL / CE
NSD15-48D15	15W	48V (18~72V)	±15V	±500mA	1.5KVDC	-25~+70°C	UL / CE

# Module Type



## Features

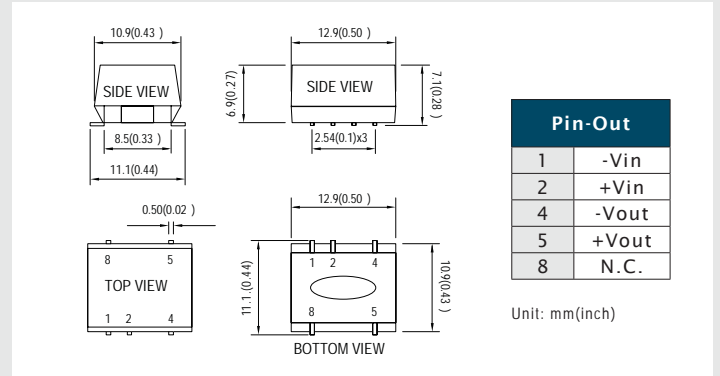
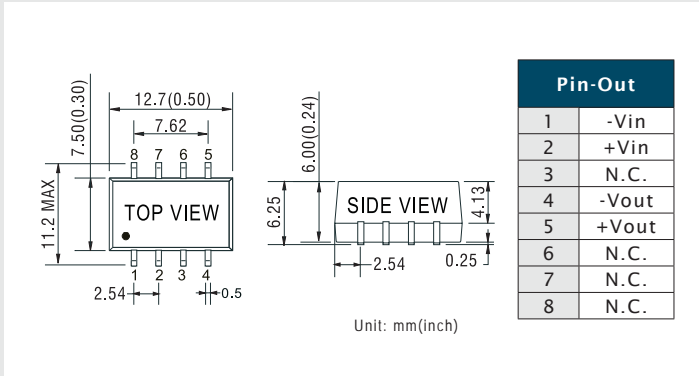
- 0.5~150W complete wattage
- Various packages: SIP, DIP, 1"x1", 2"x 1", 2"x 2", Half-Brick
- Miniature size and extremely low profile
- $\pm 10\%$ , 2:1 or 4:1 input range
- Single, dual and triple output model available
- I/O isolated
- Compliance to EN55032 without additional components
- $-40\sim+90^{\circ}\text{C}$  operating temperature
- Encapsulated type
- Cooling by free air convection
- 1~3 years warranty



▲ SBT01  
0.50" x 0.30" x 0.24"



▲ SBTN01  
0.50" x 0.43" x 0.28"



**SMD package** | Unregulated 1W | ±10% Vin | Single Vo

**SBT01**

Model No.	Wattage	Vin	Vout	Iout	Isolation voltage	Operating temperature	Safety
SBT01L-05	1W	5V (4.5~5.5V)	5V	200mA	1KVDC	-40~+85°C	UL
SBT01L-09	1W	5V (4.5~5.5V)	9V	111mA	1KVDC	-40~+85°C	UL
SBT01L-12	1W	5V (4.5~5.5V)	12V	84mA	1KVDC	-40~+85°C	UL
SBT01L-15	1W	5V (4.5~5.5V)	15V	67mA	1KVDC	-40~+85°C	UL
SBT01M-05	1W	12V (10.8~13.2V)	5V	200mA	1KVDC	-40~+85°C	UL
SBT01M-09	1W	12V (10.8~13.2V)	9V	111mA	1KVDC	-40~+85°C	UL
SBT01M-12	1W	12V (10.8~13.2V)	12V	84mA	1KVDC	-40~+85°C	UL
SBT01M-15	1W	12V (10.8~13.2V)	15V	67mA	1KVDC	-40~+85°C	UL

**SBTN01**

Model No.	Wattage	Vin	Vout	Iout	Isolation voltage	Operating temperature	Safety
SBTN01L-05	1W	5V (4.5~5.5V)	5V	200mA	1.5KVDC	-40~+90°C	CE
SBTN01L-12	1W	5V (4.5~5.5V)	12V	84mA	1.5KVDC	-40~+90°C	CE
SBTN01L-15	1W	5V (4.5~5.5V)	15V	67mA	1.5KVDC	-40~+90°C	CE
SBTN01M-05	1W	12V (10.8~13.2V)	5V	200mA	1.5KVDC	-40~+90°C	CE
SBTN01M-12	1W	12V (10.8~13.2V)	12V	84mA	1.5KVDC	-40~+90°C	CE
SBTN01M-15	1W	12V (10.8~13.2V)	15V	67mA	1.5KVDC	-40~+90°C	CE
SBTN01N-05	1W	24V (21.6~26.4V)	5V	200mA	1.5KVDC	-40~+90°C	CE
SBTN01N-12	1W	24V (21.6~26.4V)	12V	84mA	1.5KVDC	-40~+90°C	CE
SBTN01N-15	1W	24V (21.6~26.4V)	15V	67mA	1.5KVDC	-40~+90°C	CE

► -40~+105°C operating temperature with continuous short protection (optional model for SBTN01x-xxSC).

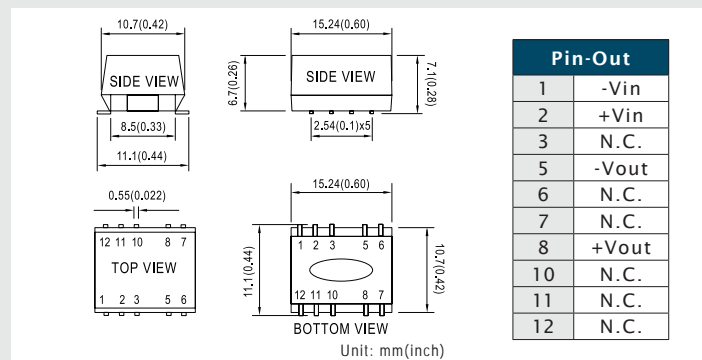
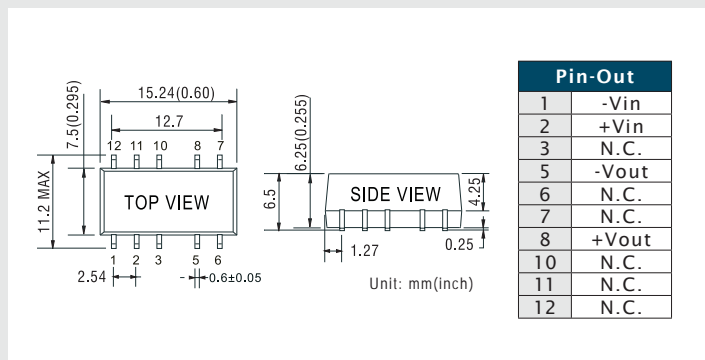
## Module Type 0.5~150W



▲ SFT01  
0.60" x 0.295" x 0.255"



▲ SFTN01  
0.60" x 0.42" x 0.28"



## SMD package      Unregulated 1W    |    ±10% Vin    |    Single Vo

### SFT01

Model No.	Wattage	Vin	Vout	Iout	Isolation voltage	Operating temperature	Safety
SFT01L-05	1W	5V (4.5~5.5V)	5V	200mA	1KVDC	-40~+85°C	UL
SFT01L-09	1W	5V (4.5~5.5V)	9V	111mA	1KVDC	-40~+85°C	UL
SFT01L-12	1W	5V (4.5~5.5V)	12V	84mA	1KVDC	-40~+85°C	UL
SFT01L-15	1W	5V (4.5~5.5V)	15V	67mA	1KVDC	-40~+85°C	UL
SFT01M-05	1W	12V (10.8~13.2V)	5V	200mA	1KVDC	-40~+85°C	UL
SFT01M-12	1W	12V (10.8~13.2V)	12V	84mA	1KVDC	-40~+85°C	UL
SFT01M-15	1W	12V (10.8~13.2V)	15V	67mA	1KVDC	-40~+85°C	UL

### SFTN01

Model No.	Wattage	Vin	Vout	Iout	Isolation voltage	Operating temperature	Safety
SFTN01L-05	1W	5V (4.5~5.5V)	5V	200mA	3KVDC	-40~+90°C	CE
SFTN01L-12	1W	5V (4.5~5.5V)	12V	84mA	3KVDC	-40~+90°C	CE
SFTN01L-15	1W	5V (4.5~5.5V)	15V	67mA	3KVDC	-40~+90°C	CE
SFTN01M-05	1W	12V (10.8~13.2V)	5V	200mA	3KVDC	-40~+90°C	CE
SFTN01M-12	1W	12V (10.8~13.2V)	12V	84mA	3KVDC	-40~+90°C	CE
SFTN01M-15	1W	12V (10.8~13.2V)	15V	67mA	3KVDC	-40~+90°C	CE
SFTN01N-05	1W	24V (21.6~26.4V)	5V	200mA	3KVDC	-40~+90°C	CE
SFTN01N-12	1W	24V (21.6~26.4V)	12V	84mA	3KVDC	-40~+90°C	CE
SFTN01N-15	1W	24V (21.6~26.4V)	15V	67mA	3KVDC	-40~+90°C	CE

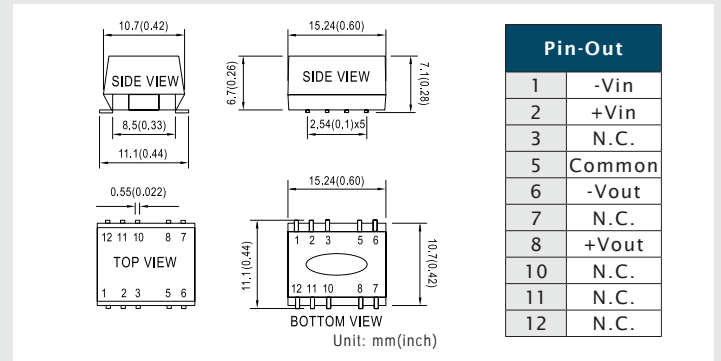
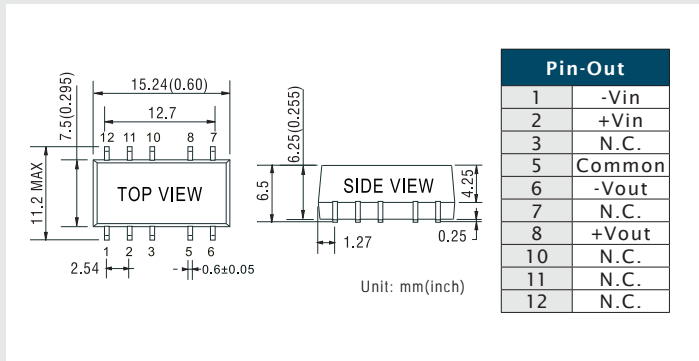
▶ -40~+100°C operating temperature with continuous short protection (optional model for SFTN01x-xxSC).



▲ DET01  
0.60" x 0.295" x 0.255"



▲ DETN01  
0.60" x 0.42" x 0.28"



**SMD package**    Unregulated 1W    |    ±10% Vin    |    Dual Vo

**DET01**

Model No.	Wattage	Vin	Vout	Iout	Isolation voltage	Operating temperature	Safety
DET01L-05	1W	5V (4.5~5.5V)	±5V	±100mA	1KVDC	-40~+85°C	UL
DET01L-09	1W	5V (4.5~5.5V)	±9V	±56mA	1KVDC	-40~+85°C	UL
DET01L-12	1W	5V (4.5~5.5V)	±12V	±42mA	1KVDC	-40~+85°C	UL
DET01L-15	1W	5V (4.5~5.5V)	±15V	±33mA	1KVDC	-40~+85°C	UL
DET01M-15	1W	12V (10.8~13.2V)	±15V	±100mA	1KVDC	-40~+85°C	UL

**DETN01**

Model No.	Wattage	Vin	Vout	Iout	Isolation voltage	Operating temperature	Safety
DETN01L-05	1W	5V (4.5~5.5V)	±5V	±100mA	3KVDC	-40~+90°C	CE
DETN01L-12	1W	5V (4.5~5.5V)	±12V	±42mA	3KVDC	-40~+90°C	CE
DETN01L-15	1W	5V (4.5~5.5V)	±15V	±34mA	3KVDC	-40~+90°C	CE
DETN01M-05	1W	12V (10.8~13.2V)	±5V	±100mA	3KVDC	-40~+90°C	CE
DETN01M-12	1W	12V (10.8~13.2V)	±12V	±42mA	3KVDC	-40~+90°C	CE
DETN01M-15	1W	12V (10.8~13.2V)	±15V	±34mA	3KVDC	-40~+90°C	CE
DETN01N-05	1W	24V (21.6~26.4V)	±5V	±100mA	3KVDC	-40~+90°C	CE
DETN01N-12	1W	24V (21.6~26.4V)	±12V	±42mA	3KVDC	-40~+90°C	CE
DETN01N-15	1W	24V (21.6~26.4V)	±15V	±34mA	3KVDC	-40~+90°C	CE

▶ -40~+100°C operating temperature with continuous short protection (optional model for DETN01x-xxSC).

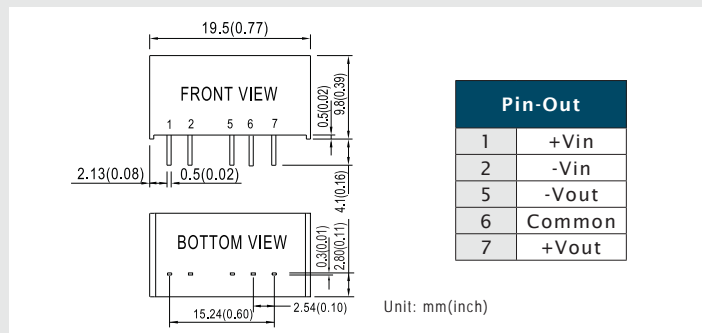
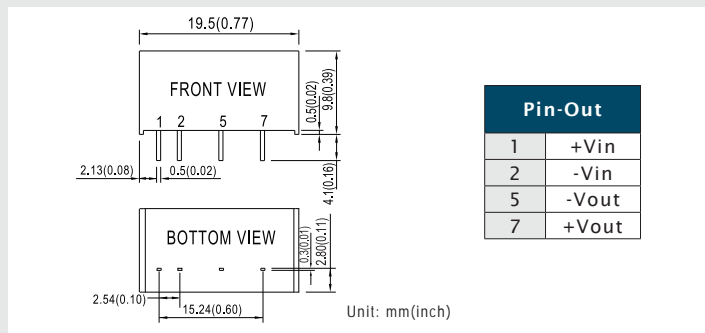
## Module Type 0.5~150W



▲ MDS01  
0.77" x 0.39" x 0.49"



▲ MDD01  
0.77" x 0.39" x 0.49"



### SIP package

Medical grade unregulated 1W |  $\pm 10\%$  Vin | Single/Dual Vo

#### MDS01



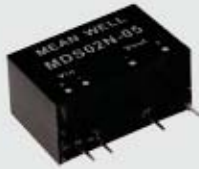
Model No.	Wattage	Vin	Vout	Iout	Isolation voltage	Operating temperature	Safety
MDS01L-03	1W	5V (4.5~5.5V)	3.3V	303mA	6KVDC	-40~+85°C	UL / CE
MDS01L-05	1W	5V (4.5~5.5V)	5V	200mA	6KVDC	-40~+85°C	UL / CE
MDS01L-12	1W	5V (4.5~5.5V)	12V	84mA	6KVDC	-40~+85°C	UL / CE
MDS01L-15	1W	5V (4.5~5.5V)	15V	67mA	6KVDC	-40~+85°C	UL / CE
MDS01M-05	1W	12V (10.8~13.2V)	5V	200mA	6KVDC	-40~+85°C	UL / CE
MDS01M-12	1W	12V (10.8~13.2V)	12V	84mA	6KVDC	-40~+85°C	UL / CE
MDS01M-15	1W	12V (10.8~13.2V)	15V	67mA	6KVDC	-40~+85°C	UL / CE
MDS01N-05	1W	24V (21.6~26.4V)	5V	200mA	6KVDC	-40~+85°C	UL / CE
MDS01N-12	1W	24V (21.6~26.4V)	12V	84mA	6KVDC	-40~+85°C	UL / CE
MDS01N-15	1W	24V (21.6~26.4V)	15V	67mA	6KVDC	-40~+85°C	UL / CE

#### MDD01



Model No.	Wattage	Vin	Vout	Iout	Isolation voltage	Operating temperature	Safety
MDD01L-03	1W	5V (4.5~5.5V)	$\pm 5V$	$\pm 100mA$	6KVDC	-40~+85°C	UL / CE
MDD01L-05	1W	5V (4.5~5.5V)	$\pm 9V$	$\pm 56mA$	6KVDC	-40~+85°C	UL / CE
MDD01L-12	1W	5V (4.5~5.5V)	$\pm 12V$	$\pm 42mA$	6KVDC	-40~+85°C	UL / CE
MDD01L-15	1W	5V (4.5~5.5V)	$\pm 15V$	$\pm 34mA$	6KVDC	-40~+85°C	UL / CE
MDD01M-03	1W	12V (10.8~13.2V)	$\pm 5V$	$\pm 100mA$	6KVDC	-40~+85°C	UL / CE
MDD01M-05	1W	12V (10.8~13.2V)	$\pm 9V$	$\pm 56mA$	6KVDC	-40~+85°C	UL / CE
MDD01M-12	1W	12V (10.8~13.2V)	$\pm 12V$	$\pm 42mA$	6KVDC	-40~+85°C	UL / CE
MDD01M-15	1W	12V (10.8~13.2V)	$\pm 15V$	$\pm 34mA$	6KVDC	-40~+85°C	UL / CE
MDD01N-03	1W	24V (21.6~26.4V)	$\pm 5V$	$\pm 100mA$	6KVDC	-40~+85°C	UL / CE
MDD01N-05	1W	24V (21.6~26.4V)	$\pm 9V$	$\pm 56mA$	6KVDC	-40~+85°C	UL / CE
MDD01N-12	1W	24V (21.6~26.4V)	$\pm 12V$	$\pm 42mA$	6KVDC	-40~+85°C	UL / CE
MDD01N-15	1W	24V (21.6~26.4V)	$\pm 15V$	$\pm 34mA$	6KVDC	-40~+85°C	UL / CE

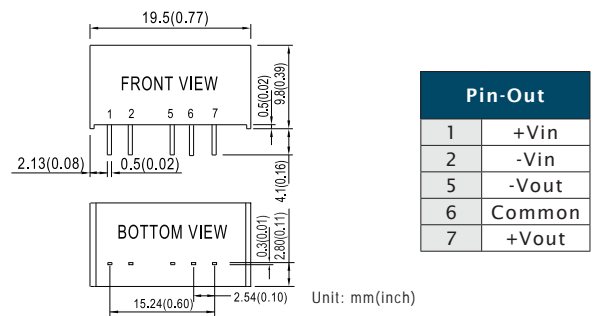
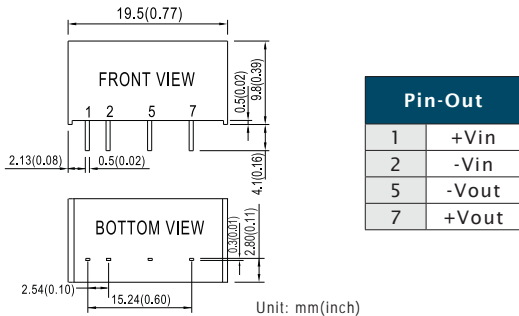




▲ MDS02  
0.77" x 0.39" x 0.49"



▲ MDD02  
0.77" x 0.39" x 0.49"



SIP package

Medical grade unregulated 2W | ±10% Vin | Single/Dual Vo



MDS02

Model No.	Wattage	Vin	Vout	Iout	Isolation voltage	Operating temperature	Safety
MDS02L-05	2W	5V (4.5~5.5V)	5V	400mA	6KVDC	-40~+85°C	UL / CE
MDS02L-12	2W	5V (4.5~5.5V)	12V	167mA	6KVDC	-40~+85°C	UL / CE
MDS02L-15	2W	5V (4.5~5.5V)	15V	133mA	6KVDC	-40~+85°C	UL / CE
MDS02M-05	2W	12V (10.8~13.2V)	5V	400mA	6KVDC	-40~+85°C	UL / CE
MDS02M-12	2W	12V (10.8~13.2V)	12V	167mA	6KVDC	-40~+85°C	UL / CE
MDS02M-15	2W	12V (10.8~13.2V)	15V	133mA	6KVDC	-40~+85°C	UL / CE
MDS02N-05	2W	24V (21.6~26.4V)	5V	400mA	6KVDC	-40~+85°C	UL / CE
MDS02N-12	2W	24V (21.6~26.4V)	12V	167mA	6KVDC	-40~+85°C	UL / CE
MDS02N-15	2W	24V (21.6~26.4V)	15V	133mA	6KVDC	-40~+85°C	UL / CE

MDD02



Model No.	Wattage	Vin	Vout	Iout	Isolation voltage	Operating temperature	Safety
MDD02L-05	2W	5V (4.5~5.5V)	±5V	±200mA	6KVDC	-40~+85°C	UL / CE
MDD02L-09	2W	5V (4.5~5.5V)	±9V	±111mA	6KVDC	-40~+85°C	UL / CE
MDD02L-12	2W	5V (4.5~5.5V)	±12V	±83mA	6KVDC	-40~+85°C	UL / CE
MDD02L-15	2W	5V (4.5~5.5V)	±15V	±67mA	6KVDC	-40~+85°C	UL / CE
MDD02M-05	2W	12V (10.8~13.2V)	±5V	±200mA	6KVDC	-40~+85°C	UL / CE
MDD02M-09	2W	12V (10.8~13.2V)	±9V	±111mA	6KVDC	-40~+85°C	UL / CE
MDD02M-12	2W	12V (10.8~13.2V)	±12V	±83mA	6KVDC	-40~+85°C	UL / CE
MDD02M-15	2W	12V (10.8~13.2V)	±15V	±67mA	6KVDC	-40~+85°C	UL / CE
MDD02N-05	2W	24V (21.6~26.4V)	±5V	±200mA	6KVDC	-40~+85°C	UL / CE
MDD02N-09	2W	24V (21.6~26.4V)	±9V	±111mA	6KVDC	-40~+85°C	UL / CE
MDD02N-12	2W	24V (21.6~26.4V)	±12V	±83mA	6KVDC	-40~+85°C	UL / CE
MDD02N-15	2W	24V (21.6~26.4V)	±15V	±67mA	6KVDC	-40~+85°C	UL / CE

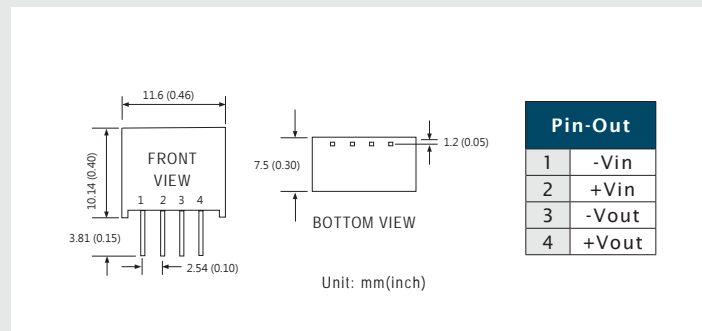
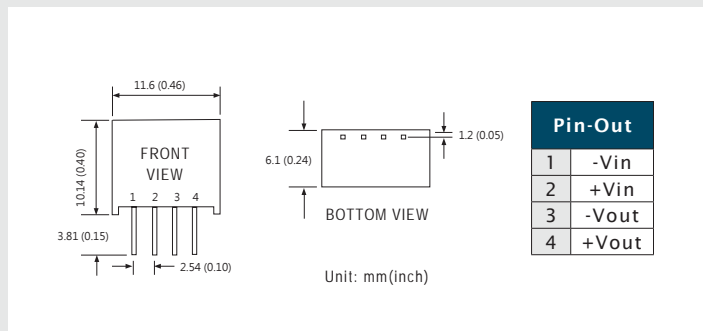
## Module Type 0.5~150W



▲ SMU01  
0.46" x 0.24" x 0.4"



▲ SMU02  
0.46" x 0.3" x 0.4"



### SIP package

Unregulated 1W/2W | ±10% Vin | Single Vo

### SMU01

Model No.	Wattage	Vin	Vout	Iout	Isolation voltage	Operating temperature	Safety
SMU01L-05	1W	5V (4.5~5.5V)	5V	200mA	1.5KVDC	-40~+90°C	FCC / CE
SMU01L-09	1W	5V (4.5~5.5V)	9V	110mA	1.5KVDC	-40~+90°C	FCC / CE
SMU01L-12	1W	5V (4.5~5.5V)	12V	84mA	1.5KVDC	-40~+90°C	FCC / CE
SMU01L-15	1W	5V (4.5~5.5V)	15V	67mA	1.5KVDC	-40~+90°C	FCC / CE
SMU01M-05	1W	12V (10.8~13.2V)	5V	200mA	1.5KVDC	-40~+90°C	FCC / CE
SMU01M-09	1W	12V (10.8~13.2V)	9V	110mA	1.5KVDC	-40~+90°C	FCC / CE
SMU01M-12	1W	12V (10.8~13.2V)	12V	84mA	1.5KVDC	-40~+90°C	FCC / CE
SMU01M-15	1W	12V (10.8~13.2V)	15V	67mA	1.5KVDC	-40~+90°C	FCC / CE
SMU01N-05	1W	24V (21.6~26.4V)	5V	200mA	1.5KVDC	-40~+90°C	FCC / CE
SMU01N-09	1W	24V (21.6~26.4V)	9V	110mA	1.5KVDC	-40~+90°C	FCC / CE
SMU01N-12	1W	24V (21.6~26.4V)	12V	84mA	1.5KVDC	-40~+90°C	FCC / CE
SMU01N-15	1W	24V (21.6~26.4V)	15V	67mA	1.5KVDC	-40~+90°C	FCC / CE

### SMU02

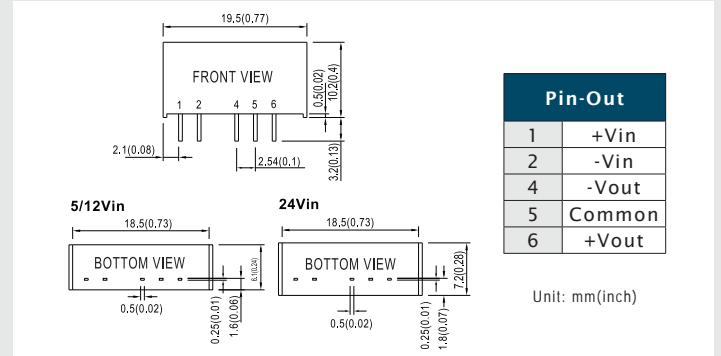
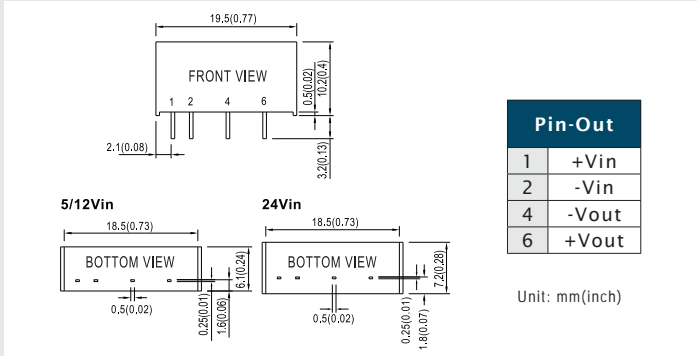
Model No.	Wattage	Vin	Vout	Iout	Isolation voltage	Operating temperature	Safety
SMU02L-05	2W	5V (4.5~5.5V)	5V	400mA	1.5KVDC	-40~+85°C	FCC / CE
SMU02L-12	2W	5V (4.5~5.5V)	12V	167mA	1.5KVDC	-40~+85°C	FCC / CE
SMU02L-15	2W	5V (4.5~5.5V)	15V	133mA	1.5KVDC	-40~+85°C	FCC / CE
SMU02M-05	2W	12V (10.8~13.2V)	5V	400mA	1.5KVDC	-40~+85°C	FCC / CE
SMU02M-12	2W	12V (10.8~13.2V)	12V	167mA	1.5KVDC	-40~+85°C	FCC / CE
SMU02M-15	2W	12V (10.8~13.2V)	15V	133mA	1.5KVDC	-40~+85°C	FCC / CE
SMU02N-05	2W	24V (21.6~26.4V)	5V	400mA	1.5KVDC	-40~+85°C	FCC / CE
SMU02N-12	2W	24V (21.6~26.4V)	12V	167mA	1.5KVDC	-40~+85°C	FCC / CE
SMU02N-15	2W	24V (21.6~26.4V)	15V	133mA	1.5KVDC	-40~+85°C	FCC / CE



▲ SPU01  
0.77" x 0.24" x 0.40" (5/12Vin)  
0.77" x 0.28" x 0.40" (24Vin)



▲ DPU01  
0.77" x 0.24" x 0.40" (5/12Vin)  
0.77" x 0.28" x 0.40" (24Vin)



**SIP package** | Unregulated 1W | ±10% Vin | Single/Dual Vo

**SPU01**

Model No.	Wattage	Vin	Vout	Iout	Isolation voltage	Operating temp.	Safety
SPU01L-05	1W	5V (4.5~5.5V)	5V	200mA	1.5KVDC	-40~+90°C	CE
SPU01L-12	1W	5V (4.5~5.5V)	12V	84mA	1.5KVDC	-40~+90°C	CE
SPU01L-15	1W	5V (4.5~5.5V)	15V	67mA	1.5KVDC	-40~+90°C	CE
SPU01M-05	1W	12V (10.8~13.2V)	5V	200mA	1.5KVDC	-40~+90°C	CE
SPU01M-12	1W	12V (10.8~13.2V)	12V	84mA	1.5KVDC	-40~+90°C	CE
SPU01M-15	1W	12V (10.8~13.2V)	15V	67mA	1.5KVDC	-40~+90°C	CE
SPU01N-05	1W	24V (21.6~26.4V)	5V	200mA	1.5KVDC	-40~+90°C	CE
SPU01N-12	1W	24V (21.6~26.4V)	12V	84mA	1.5KVDC	-40~+90°C	CE
SPU01N-15	1W	24V (21.6~26.4V)	15V	67mA	1.5KVDC	-40~+90°C	CE

**DPU01**

Model No.	Wattage	Vin	Vout	Iout	Isolation voltage	Operating temp.	Safety
DPU01L-05	1W	5V (4.5~5.5V)	±5V	±100mA	1.5KVDC	-40~+90°C	CE
DPU01L-12	1W	5V (4.5~5.5V)	±12V	±42mA	1.5KVDC	-40~+90°C	CE
DPU01L-15	1W	5V (4.5~5.5V)	±15V	±33mA	1.5KVDC	-40~+90°C	CE
DPU01M-05	1W	12V (10.8~13.2V)	±5V	±100mA	1.5KVDC	-40~+90°C	CE
DPU01M-12	1W	12V (10.8~13.2V)	±12V	±42mA	1.5KVDC	-40~+90°C	CE
DPU01M-15	1W	12V (10.8~13.2V)	±15V	±33mA	1.5KVDC	-40~+90°C	CE
DPU01N-05	1W	24V (21.6~26.4V)	±5V	±100mA	1.5KVDC	-40~+90°C	CE
DPU01N-12	1W	24V (21.6~26.4V)	±12V	±42mA	1.5KVDC	-40~+90°C	CE
DPU01N-15	1W	24V (21.6~26.4V)	±15V	±33mA	1.5KVDC	-40~+90°C	CE

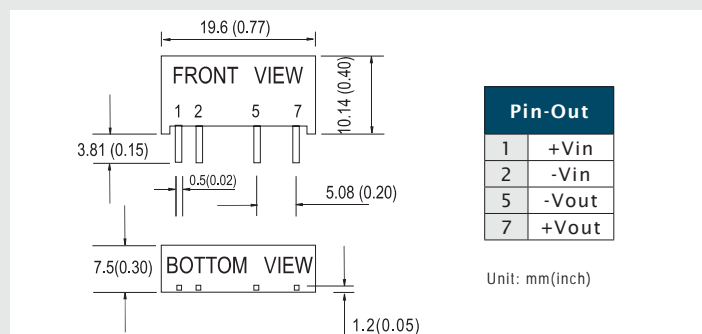
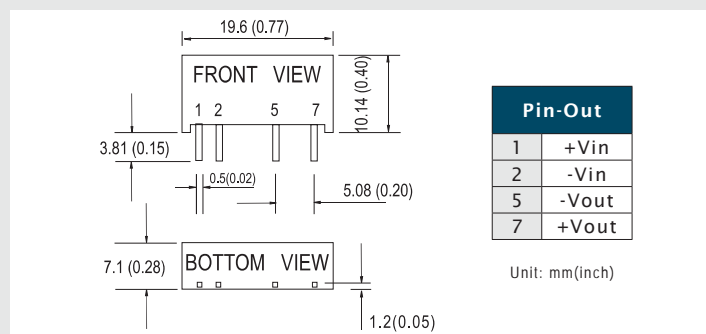
## Module Type 0.5~150W



▲ SPU02  
0.77" x 0.28" x 0.40"



▲ SPU03  
0.77" x 0.30" x 0.40"



## SIP package | Unregulated 2W/3W | ±10% Vin | Single Vo

### SPU02

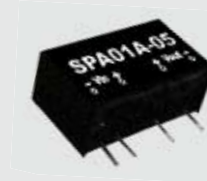
Model No.	Wattage	Vin	Vout	Iout	Isolation voltage	Operating temperature	Safety
SPU02L-05	2W	5V (4.5~5.5V)	5V	400mA	3KVDC	-40~+71°C	CE / FCC
SPU02L-12	2W	5V (4.5~5.5V)	12V	167mA	3KVDC	-40~+71°C	CE / FCC
SPU02L-15	2W	5V (4.5~5.5V)	15V	133mA	3KVDC	-40~+71°C	CE / FCC
SPU02M-05	2W	12V (10.8~13.2V)	5V	400mA	3KVDC	-40~+71°C	CE / FCC
SPU02M-12	2W	12V (10.8~13.2V)	12V	167mA	3KVDC	-40~+71°C	CE / FCC
SPU02M-15	2W	12V (10.8~13.2V)	15V	133mA	3KVDC	-40~+71°C	CE / FCC
SPU02N-05	2W	24V (21.6~26.4V)	5V	400mA	3KVDC	-40~+71°C	CE / FCC
SPU02N-12	2W	24V (21.6~26.4V)	12V	167mA	3KVDC	-40~+71°C	CE / FCC
SPU02N-15	2W	24V (21.6~26.4V)	15V	133mA	3KVDC	-40~+71°C	CE / FCC

### SPU03

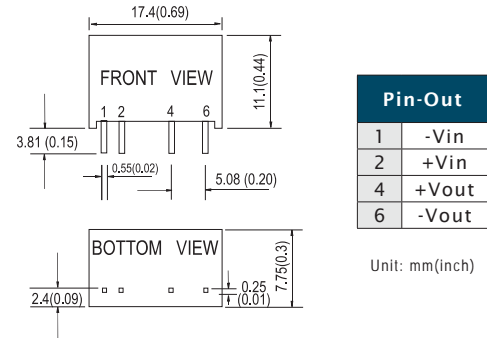
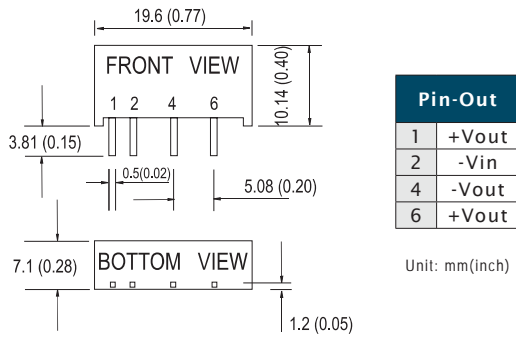
Model No.	Wattage	Vin	Vout	Iout	Isolation voltage	Operating temperature	Safety
SPU03L-05	3W	5V (4.5~5.5V)	5V	600mA	3KVDC	-40~+90°C	CE / FCC
SPU03L-12	3W	5V (4.5~5.5V)	12V	250mA	3KVDC	-40~+90°C	CE / FCC
SPU03L-15	3W	5V (4.5~5.5V)	15V	200mA	3KVDC	-40~+90°C	CE / FCC
SPU03M-05	3W	12V (10.8~13.2V)	5V	600mA	3KVDC	-40~+90°C	CE / FCC
SPU03M-12	3W	12V (10.8~13.2V)	12V	250mA	3KVDC	-40~+90°C	CE / FCC
SPU03M-15	3W	12V (10.8~13.2V)	15V	200mA	3KVDC	-40~+90°C	CE / FCC
SPU03N-05	3W	24V (21.6~26.4V)	5V	600mA	3KVDC	-40~+90°C	CE / FCC
SPU03N-12	3W	24V (21.6~26.4V)	12V	250mA	3KVDC	-40~+90°C	CE / FCC
SPU03N-15	3W	24V (21.6~26.4V)	15V	200mA	3KVDC	-40~+90°C	CE / FCC



▲ SPR01  
0.77" x 0.28" x 0.40"



▲ SPA01  
0.69" x 0.3" x 0.44"



**SIP package** | Regulated 1W | ±10% & 2:1 Vin | Single Vo

**SPR01**

Model No.	Wattage	Vin	Vout	Iout	Isolation voltage	Operating temp.	Safety
SPR01L-05	1W	5V (4.5~5.5V)	5V	200mA	1KVDC	-25~+71°C	FCC / CE
SPR01L-09	1W	5V (4.5~5.5V)	9V	100mA	1KVDC	-25~+71°C	FCC / CE
SPR01L-12	1W	5V (4.5~5.5V)	12V	84mA	1KVDC	-25~+71°C	FCC / CE
SPR01L-15	1W	5V (4.5~5.5V)	15V	67mA	1KVDC	-25~+71°C	FCC / CE
SPR01M-05	1W	12V (10.8~13.2V)	5V	200mA	1KVDC	-25~+71°C	FCC / CE
SPR01M-09	1W	12V (10.8~13.2V)	9V	100mA	1KVDC	-25~+71°C	FCC / CE
SPR01M-12	1W	12V (10.8~13.2V)	12V	84mA	1KVDC	-25~+71°C	FCC / CE
SPR01M-15	1W	12V (10.8~13.2V)	15V	67mA	1KVDC	-25~+71°C	FCC / CE
SPR01N-05	1W	24V (21.6~26.4V)	5V	200mA	1KVDC	-25~+71°C	FCC / CE
SPR01N-09	1W	24V (21.6~26.4V)	9V	100mA	1KVDC	-25~+71°C	FCC / CE
SPR01N-12	1W	24V (21.6~26.4V)	12V	84mA	1KVDC	-25~+71°C	FCC / CE
SPR01N-15	1W	24V (21.6~26.4V)	15V	67mA	1KVDC	-25~+71°C	FCC / CE
SPR01O-05	1W	48V (43.2~52.8V)	5V	200mA	1KVDC	-25~+71°C	FCC / CE
SPR01O-09	1W	48V (43.2~52.8V)	9V	100mA	1KVDC	-25~+71°C	FCC / CE
SPR01O-12	1W	48V (43.2~52.8V)	12V	84mA	1KVDC	-25~+71°C	FCC / CE
SPR01O-15	1W	48V (43.2~52.8V)	15V	67mA	1KVDC	-25~+71°C	FCC / CE

**SPA01**

Model No.	Wattage	Vin	Vout	Iout	Isolation voltage	Operating temp.	Safety
SPA01A-05	1W	12V (9~18V)	5V	200mA	1.5KVDC	-40~+90°C	FCC / CE
SPA01A-12	1W	12V (9~18V)	12V	83mA	1.5KVDC	-40~+90°C	FCC / CE
SPA01A-15	1W	12V (9~18V)	15V	67mA	1.5KVDC	-40~+90°C	FCC / CE
SPA01B-05	1W	24V (18~36V)	5V	200mA	1.5KVDC	-40~+90°C	FCC / CE
SPA01B-12	1W	24V (18~36V)	12V	83mA	1.5KVDC	-40~+90°C	FCC / CE
SPA01B-15	1W	24V (18~36V)	15V	67mA	1.5KVDC	-40~+90°C	FCC / CE
SPA01C-05	1W	48V (36~72V)	5V	200mA	1.5KVDC	-40~+90°C	FCC / CE
SPA01C-12	1W	48V (36~72V)	12V	83mA	1.5KVDC	-40~+90°C	FCC / CE
SPA01C-15	1W	48V (36~72V)	15V	67mA	1.5KVDC	-40~+90°C	FCC / CE

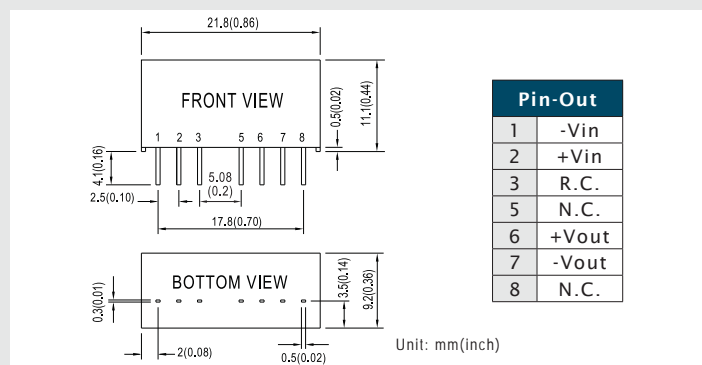
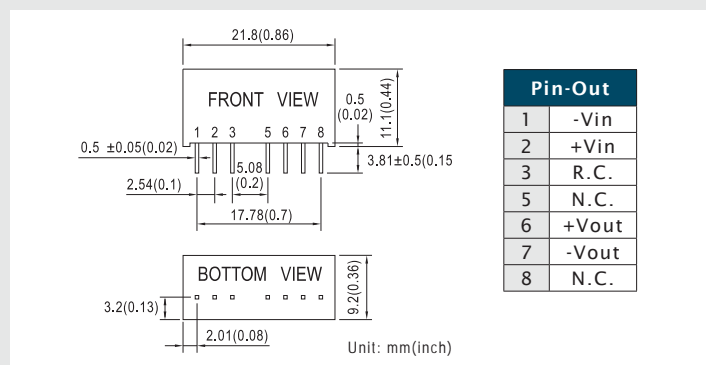
## Module Type 0.5~150W



▲ SPA02  
0.86" x 0.36" x 0.44"



▲ SPAN02  
0.86" x 0.36" x 0.44"



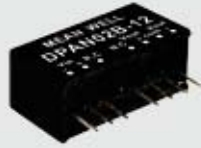
## SIP package Regulated 2W | 2:1 Vin | Single Vo

### SPA02

Model No.	Wattage	Vin	Vout	Iout	Isolation voltage	Operating temperature	Safety
SPA02E-05	2W	5V (4.5~9V)	5V	400mA	1KVDC	-40~+85°C	FCC / CE
SPA02E-12	2W	5V (4.5~9V)	12V	150mA	1KVDC	-40~+85°C	FCC / CE
SPA02E-15	2W	5V (4.5~9V)	15V	120mA	1KVDC	-40~+85°C	FCC / CE
SPA02A-05	2W	12V (9~18V)	5V	400mA	1KVDC	-40~+85°C	FCC / CE
SPA02A-12	2W	12V (9~18V)	12V	167mA	1KVDC	-40~+85°C	FCC / CE
SPA02A-15	2W	12V (9~18V)	15V	134mA	1KVDC	-40~+85°C	FCC / CE
SPA02B-05	2W	24V (18~36V)	5V	400mA	1KVDC	-40~+85°C	FCC / CE
SPA02B-12	2W	24V (18~36V)	12V	167mA	1KVDC	-40~+85°C	FCC / CE
SPA02B-15	2W	24V (18~36V)	15V	134mA	1KVDC	-40~+85°C	FCC / CE
SPA02C-05	2W	48V (36~72V)	5V	400mA	1KVDC	-40~+85°C	FCC / CE
SPA02C-12	2W	48V (36~72V)	12V	167mA	1KVDC	-40~+85°C	FCC / CE
SPA02C-15	2W	48V (36~72V)	15V	134mA	1KVDC	-40~+85°C	FCC / CE

### SPAN02

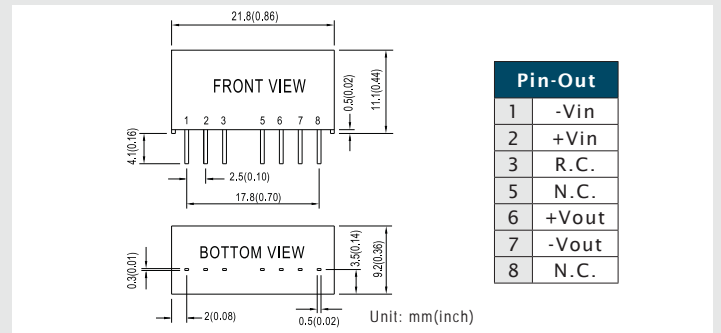
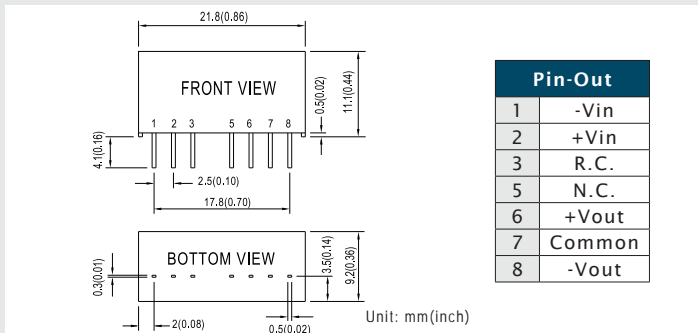
Model No.	Wattage	Vin	Vout	Iout	Isolation voltage	Operating temperature	Safety
SPAN02E-03	2W	5V (4.5~9V)	3.3V	500mA	1.5KVDC	-40~+90°C	CE
SPAN02E-05	2W	5V (4.5~9V)	5V	400mA	1.5KVDC	-40~+90°C	CE
SPAN02E-12	2W	5V (4.5~9V)	12V	167mA	1.5KVDC	-40~+90°C	CE
SPAN02E-15	2W	5V (4.5~9V)	15V	134mA	1.5KVDC	-40~+90°C	CE
SPAN02A-03	2W	12V (9~18V)	3.3V	500mA	1.5KVDC	-40~+90°C	CE
SPAN02A-05	2W	12V (9~18V)	5V	400mA	1.5KVDC	-40~+90°C	CE
SPAN02A-12	2W	12V (9~18V)	12V	167mA	1.5KVDC	-40~+90°C	CE
SPAN02A-15	2W	12V (9~18V)	15V	134mA	1.5KVDC	-40~+90°C	CE
SPAN02B-03	2W	24V (18~36V)	3.3V	500mA	1.5KVDC	-40~+90°C	CE
SPAN02B-05	2W	24V (18~36V)	5V	400mA	1.5KVDC	-40~+90°C	CE
SPAN02B-12	2W	24V (18~36V)	12V	167mA	1.5KVDC	-40~+90°C	CE
SPAN02B-15	2W	24V (18~36V)	15V	134mA	1.5KVDC	-40~+90°C	CE
SPAN02C-03	2W	48V (36~75V)	3.3V	500mA	1.5KVDC	-40~+90°C	CE
SPAN02C-05	2W	48V (36~75V)	5V	400mA	1.5KVDC	-40~+90°C	CE
SPAN02C-12	2W	48V (36~75V)	12V	167mA	1.5KVDC	-40~+90°C	CE
SPAN02C-15	2W	48V (36~75V)	15V	134mA	1.5KVDC	-40~+90°C	CE



▲ DPAN02  
0.86" x 0.36" x 0.44"



▲ SPB03  
0.86" x 0.36" x 0.44"



**SIP package** | Regulated 2W/3W | 2:1 Vin | Single/Dual Vo

**DPAN02**

Model No.	Wattage	Vin	Vout	Iout	Isolation voltage	Operating temperature	Safety
DPAN02E-05	2W	5V (4.5~9V)	±5V	±200mA	1.5KVDC	-40~+90°C	CE
DPAN02E-12	2W	5V (4.5~9V)	±12V	±83mA	1.5KVDC	-40~+90°C	CE
DPAN02E-15	2W	5V (4.5~9V)	±15V	±67mA	1.5KVDC	-40~+90°C	CE
DPAN02A-05	2W	12V (9~18V)	±5V	±200mA	1.5KVDC	-40~+90°C	CE
DPAN02A-12	2W	12V (9~18V)	±12V	±83mA	1.5KVDC	-40~+90°C	CE
DPAN02A-15	2W	12V (9~18V)	±15V	±67mA	1.5KVDC	-40~+90°C	CE
DPAN02B-05	2W	24V (18~36V)	±5V	±200mA	1.5KVDC	-40~+90°C	CE
DPAN02B-12	2W	24V (18~36V)	±12V	±83mA	1.5KVDC	-40~+90°C	CE
DPAN02B-15	2W	27V (18~36V)	±15V	±67mA	1.5KVDC	-40~+90°C	CE
DPAN02C-05	2W	48V (36~75V)	±5V	±200mA	1.5KVDC	-40~+90°C	CE
DPAN02C-12	2W	48V (36~75V)	±12V	±83mA	1.5KVDC	-40~+90°C	CE
DPAN02C-15	2W	48V (36~75V)	±15V	±67mA	1.5KVDC	-40~+90°C	CE

**SPB03**

Model No.	Wattage	Vin	Vout	Iout	Isolation voltage	Operating temperature	Safety
SPB03E-05	3W	5V (4.5~9V)	5V	600mA	1KVDC	-40~+85°C	FCC / CE
SPB03E-12	3W	5V (4.5~9V)	12V	250mA	1KVDC	-40~+85°C	FCC / CE
SPB03E-15	3W	5V (4.5~9V)	15V	200mA	1KVDC	-40~+85°C	FCC / CE
SPB03A-05	3W	12V (9~18V)	5V	600mA	1KVDC	-40~+85°C	FCC / CE
SPB03A-12	3W	12V (9~18V)	12V	250mA	1KVDC	-40~+85°C	FCC / CE
SPB03A-15	3W	12V (9~18V)	15V	200mA	1KVDC	-40~+85°C	FCC / CE
SPB03B-05	3W	24V (18~36V)	5V	600mA	1KVDC	-40~+85°C	FCC / CE
SPB03B-12	3W	24V (18~36V)	12V	250mA	1KVDC	-40~+85°C	FCC / CE
SPB03B-15	3W	24V (18~36V)	15V	200mA	1KVDC	-40~+85°C	FCC / CE
SPB03C-05	3W	48V (36~72V)	5V	600mA	1KVDC	-40~+85°C	FCC / CE
SPB03C-12	3W	48V (36~72V)	12V	250mA	1KVDC	-40~+85°C	FCC / CE
SPB03C-15	3W	48V (36~72V)	15V	200mA	1KVDC	-40~+85°C	FCC / CE

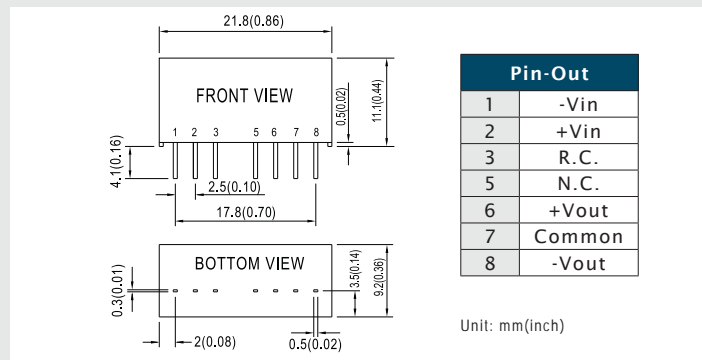
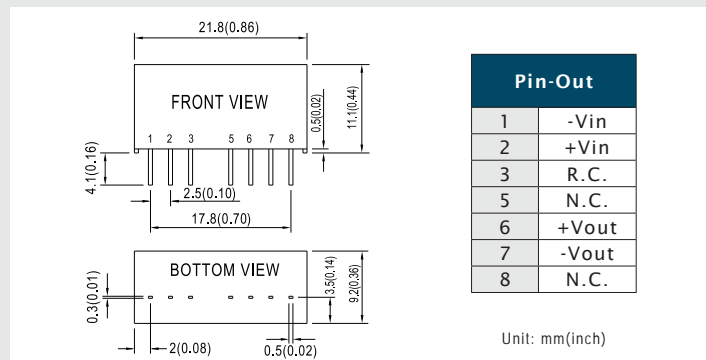
## Module Type 0.5~150W



▲ SPBW03  
0.86" x 0.36" x 0.44"



▲ DPBW03  
0.86" x 0.36" x 0.44"



### SIP package

Regulated 3W | 4:1 Vin | Single/Dual Vo

### SPBW03

Model No.	Wattage	Vin	Vout	Iout	Isolation voltage	Operating temperature	Safety
SPBW03F-03	3W	24V(9~36V)	3.3V	700mA	1.5KVDC	-40~+85°C	CE
SPBW03F-05	3W	24V(9~36V)	5V	600mA	1.5KVDC	-40~+85°C	CE
SPBW03F-12	3W	24V(9~36V)	12V	250mA	1.5KVDC	-40~+85°C	CE
SPBW03F-15	3W	24V(9~36V)	15V	200mA	1.5KVDC	-40~+85°C	CE
SPBW03G-03	3W	48V(18~75V)	3V	700mA	1.5KVDC	-40~+85°C	CE
SPBW03G-05	3W	48V(18~75V)	5V	600mA	1.5KVDC	-40~+85°C	CE
SPBW03G-12	3W	48V(18~75V)	12V	250mA	1.5KVDC	-40~+85°C	CE
SPBW03G-15	3W	48V(18~75V)	15V	200mA	1.5KVDC	-40~+85°C	CE

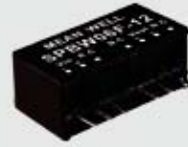
### DPBW03

Model No.	Wattage	Vin	Vout	Iout	Isolation voltage	Operating temperature	Safety
DPBW03F-05	3W	24V(9~36V)	±5V	±300mA	1.5KVDC	-40~+85°C	CE
DPBW03F-12	3W	24V(9~36V)	±12V	±125mA	1.5KVDC	-40~+85°C	CE
DPBW03F-15	3W	24V(9~36V)	±15V	±100mA	1.5KVDC	-40~+85°C	CE
DPBW03G-05	3W	48V(18~75V)	±5V	±300mA	1.5KVDC	-40~+85°C	CE
DPBW03G-12	3W	48V(18~75V)	±12V	±125mA	1.5KVDC	-40~+85°C	CE
DPBW03G-15	3W	48V(18~75V)	±15V	±100mA	1.5KVDC	-40~+85°C	CE





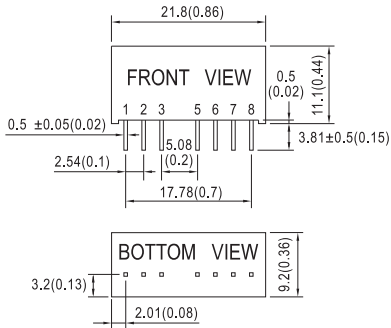
▲ SPB05  
0.86" x 0.36" x 0.44"



▲ SPBW06  
0.86" x 0.36" x 0.44"

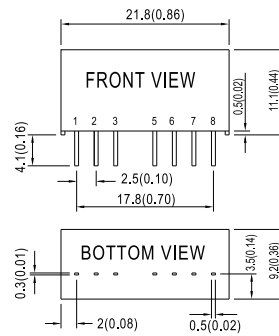


▲ DPBW06  
0.86" x 0.36" x 0.44"



Pin-Out	
1	-Vin
2	+Vin
3	R.C.
5	N.C.
6	+Vout
7	-Vout
8	N.C.

Unit: mm(inch)



Pin No.	Pin-Out	
	SPBW06	DPBW06
1	-Vin	-Vin
2	+Vin	+Vin
3	R.C.	R.C.
5	N.C.	N.C.
6	+Vout	+Vout
7	-Vout	Common
8	N.C.	-Vout

Unit: mm(inch)

## SIP package

Regulated 5W/6W | 2:1/4:1 Vin | Single/Dual Vo

### SPB05

Model No.	Wattage	Vin	Vout	Iout	Isolation voltage	Operating temperature	Safety
SPB05A-05	5W	12V (9~18V)	5V	1000mA	1.5KVDC	-40~+80°C	FCC / CE
SPB05A-12	5W	12V (9~18V)	12V	417mA	1.5KVDC	-40~+80°C	FCC / CE
SPB05A-15	5W	12V (9~18V)	15V	333mA	1.5KVDC	-40~+80°C	FCC / CE
SPB05B-05	5W	24V (18~36V)	5V	1000mA	1.5KVDC	-40~+80°C	FCC / CE
SPB05B-12	5W	24V (18~36V)	12V	417mA	1.5KVDC	-40~+80°C	FCC / CE
SPB05B-15	5W	24V (18~36V)	15V	333mA	1.5KVDC	-40~+80°C	FCC / CE
SPB05C-05	5W	48V (36~72V)	5V	1000mA	1.5KVDC	-40~+80°C	FCC / CE
SPB05C-12	5W	48V (36~72V)	12V	417mA	1.5KVDC	-40~+80°C	FCC / CE
SPB05C-15	5W	48V (36~72V)	15V	333mA	1.5KVDC	-40~+80°C	FCC / CE

### SPBW06

Model No.	Wattage	Vin	Vout	Iout	Isolation voltage	Operating temperature	Safety
SPBW06F-03	6W	24V (9~36V)	3.3V	1500mA	1.5KVDC	-40~+85°C	CE
SPBW06F-05	6W	24V (9~36V)	5V	1200mA	1.5KVDC	-40~+85°C	CE
SPBW06F-12	6W	24V (9~36V)	12V	500mA	1.5KVDC	-40~+85°C	CE
SPBW06F-15	6W	24V (9~36V)	15V	400mA	1.5KVDC	-40~+85°C	CE
SPBW06G-03	6W	48V (18~75V)	3.3V	1500mA	1.5KVDC	-40~+85°C	CE
SPBW06G-05	6W	48V (18~75V)	5V	1200mA	1.5KVDC	-40~+85°C	CE
SPBW06G-12	6W	48V (18~75V)	12V	500mA	1.5KVDC	-40~+85°C	CE
SPBW06G-15	6W	48V (18~75V)	15V	400mA	1.5KVDC	-40~+85°C	CE

### DPBW06

Model No.	Wattage	Vin	Vout	Iout	Isolation voltage	Operating temperature	Safety
DPBW06F-05	6W	24V (9~36V)	±5V	±600mA	1.5KVDC	-40~+85°C	CE
DPBW06F-12	6W	24V (9~36V)	±12V	±250mA	1.5KVDC	-40~+85°C	CE
DPBW06F-15	6W	24V (9~36V)	±15V	±200mA	1.5KVDC	-40~+85°C	CE
DPBW06G-05	6W	48V (18~75V)	±5V	±600mA	1.5KVDC	-40~+85°C	CE
DPBW06G-12	6W	48V (18~75V)	±12V	±250mA	1.5KVDC	-40~+85°C	CE
DPBW06G-15	6W	48V (18~75V)	±15V	±200mA	1.5KVDC	-40~+85°C	CE

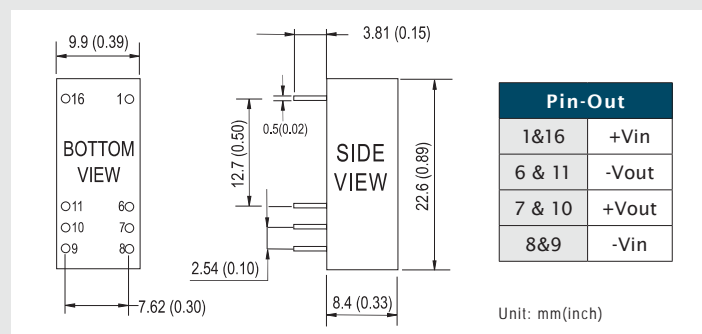
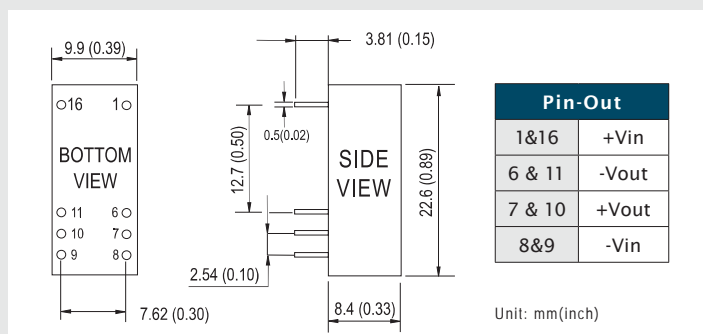
## Module Type 0.5~150W



▲ SRS  
0.89" x 0.39" x 0.33"



▲ SUS01  
0.89" x 0.39" x 0.33"



### DIP16 package

Unregulated 0.5W/1W

±10% Vin

Single Vo

### SRS

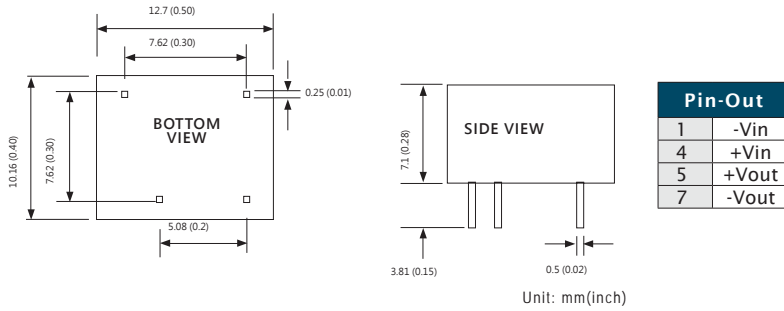
Model No.	Wattage	Vin	Vout	Iout	Isolation voltage	Operating temperature	Safety
SRS-0505	0.5W	5V (4.5~5.5V)	5V	100mA	1KVDC	-25~+71°C	FCC / CE
SRS-0509	0.5W	5V (4.5~5.5V)	9V	56mA	1KVDC	-25~+71°C	FCC / CE
SRS-0512	0.5W	5V (4.5~5.5V)	12V	42mA	1KVDC	-25~+71°C	FCC / CE
SRS-0515	0.5W	5V (4.5~5.5V)	15V	34mA	1KVDC	-25~+71°C	FCC / CE
SRS-1205	0.5W	12V (10.8~13.2V)	5V	100mA	1KVDC	-25~+71°C	FCC / CE
SRS-1209	0.5W	12V (10.8~13.2V)	9V	56mA	1KVDC	-25~+71°C	FCC / CE
SRS-1212	0.5W	12V (10.8~13.2V)	12V	42mA	1KVDC	-25~+71°C	FCC / CE
SRS-1215	0.5W	12V (10.8~13.2V)	15V	34mA	1KVDC	-25~+71°C	FCC / CE
SRS-2405	0.5W	24V (21.6~26.4V)	5V	100mA	1KVDC	-25~+71°C	FCC / CE
SRS-2409	0.5W	24V (21.6~26.4V)	9V	56mA	1KVDC	-25~+71°C	FCC / CE
SRS-2412	0.5W	24V (21.6~26.4V)	12V	42mA	1KVDC	-25~+71°C	FCC / CE
SRS-2415	0.5W	24V (21.6~26.4V)	15V	34mA	1KVDC	-25~+71°C	FCC / CE
SRS-4805	0.5W	48V (43.2~52.8V)	5V	100mA	1KVDC	-25~+71°C	FCC / CE
SRS-4809	0.5W	48V (43.2~52.8V)	9V	56mA	1KVDC	-25~+71°C	FCC / CE
SRS-4812	0.5W	48V (43.2~52.8V)	12V	42mA	1KVDC	-25~+71°C	FCC / CE
SRS-4815	0.5W	48V (43.2~52.8V)	15V	34mA	1KVDC	-25~+71°C	FCC / CE

### SUS01

Model No.	Wattage	Vin	Vout	Iout	Isolation voltage	Operating temperature	Safety
SUS01L-05	1W	5V (4.5~5.5V)	5V	200mA	1KVDC	-25~+71°C	FCC / CE
SUS01L-09	1W	5V (4.5~5.5V)	9V	111mA	1KVDC	-25~+71°C	FCC / CE
SUS01L-12	1W	5V (4.5~5.5V)	12V	84mA	1KVDC	-25~+71°C	FCC / CE
SUS01L-15	1W	5V (4.5~5.5V)	15V	67mA	1KVDC	-25~+71°C	FCC / CE
SUS01M-05	1W	12V (10.8~13.2V)	5V	200mA	1KVDC	-25~+71°C	FCC / CE
SUS01M-09	1W	12V (10.8~13.2V)	9V	111mA	1KVDC	-25~+71°C	FCC / CE
SUS01M-12	1W	12V (10.8~13.2V)	12V	84mA	1KVDC	-25~+71°C	FCC / CE
SUS01M-15	1W	12V (10.8~13.2V)	15V	67mA	1KVDC	-25~+71°C	FCC / CE
SUS01N-05	1W	24V (21.6~26.4V)	5V	200mA	1KVDC	-25~+71°C	FCC / CE
SUS01N-09	1W	24V (21.6~26.4V)	9V	111mA	1KVDC	-25~+71°C	FCC / CE
SUS01N-12	1W	24V (21.6~26.4V)	12V	84mA	1KVDC	-25~+71°C	FCC / CE
SUS01N-15	1W	24V (21.6~26.4V)	15V	67mA	1KVDC	-25~+71°C	FCC / CE
SUS01O-05	1W	48V (43.2~52.8V)	5V	200mA	1KVDC	-25~+71°C	FCC / CE
SUS01O-09	1W	48V (43.2~52.8V)	9V	111mA	1KVDC	-25~+71°C	FCC / CE
SUS01O-12	1W	48V (43.2~52.8V)	12V	84mA	1KVDC	-25~+71°C	FCC / CE
SUS01O-15	1W	48V (43.2~52.8V)	15V	67mA	1KVDC	-25~+71°C	FCC / CE



▲ SMA01  
0.50" x 0.40" x 0.28"



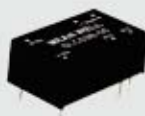
## DIP7 package

Unregulated 1W |  $\pm 10\%$  Vin | Single Vo

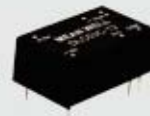
### SMA01

Model No.	Wattage	Vin	Vout	Iout	Isolation voltage	Operating temperature	Safety
SMA01L-05	1W	5V (4.5~5.5V)	5V	200mA	1.5KVDC	-40~+90°C	FCC / CE
SMA01L-09	1W	5V (4.5~5.5V)	9V	110mA	1.5KVDC	-40~+90°C	FCC / CE
SMA01L-12	1W	5V (4.5~5.5V)	12V	84mA	1.5KVDC	-40~+90°C	FCC / CE
SMA01L-15	1W	5V (4.5~5.5V)	15V	67mA	1.5KVDC	-40~+90°C	FCC / CE
SMA01M-05	1W	12V (10.8~13.2V)	5V	200mA	1.5KVDC	-40~+90°C	FCC / CE
SMA01M-09	1W	12V (10.8~13.2V)	9V	110mA	1.5KVDC	-40~+90°C	FCC / CE
SMA01M-12	1W	12V (10.8~13.2V)	12V	84mA	1.5KVDC	-40~+90°C	FCC / CE
SMA01M-15	1W	12V (10.8~13.2V)	15V	67mA	1.5KVDC	-40~+90°C	FCC / CE
SMA01N-05	1W	24V (21.6~26.4V)	5V	200mA	1.5KVDC	-40~+90°C	FCC / CE
SMA01N-09	1W	24V (21.6~26.4V)	9V	110mA	1.5KVDC	-40~+90°C	FCC / CE
SMA01N-12	1W	24V (21.6~26.4V)	12V	84mA	1.5KVDC	-40~+90°C	FCC / CE
SMA01N-15	1W	24V (21.6~26.4V)	15V	67mA	1.5KVDC	-40~+90°C	FCC / CE

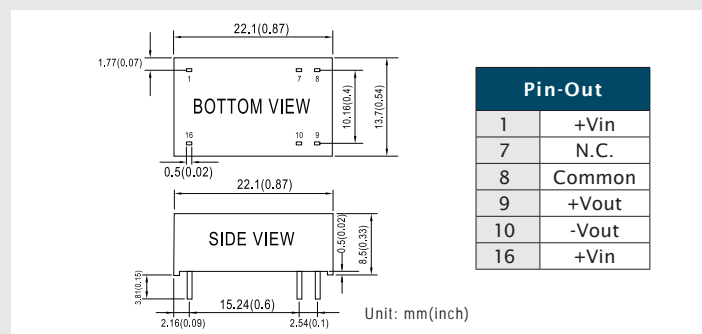
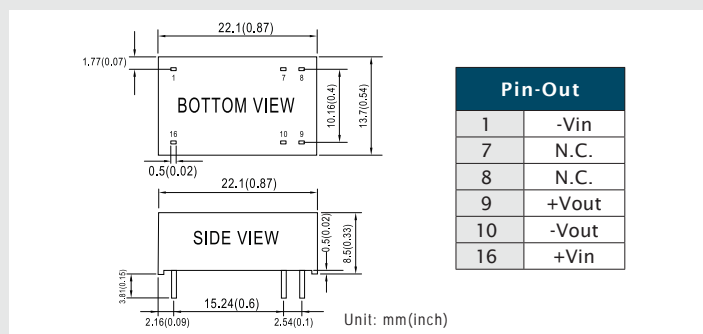
## Module Type 0.5~150W



▲ SLC03  
0.87" x 0.54" x 0.33"



▲ DLC03  
0.87" x 0.54" x 0.33"



### DIP16 package

Regulated 3W | 2:1 Vin | Single/Dual Vo | Small size and low profile

### SLC03

Model No.	Wattage	Vin	Vout	Iout	Isolation voltage	Operating temperature	Safety
SLC03A-05	3W	12V (9~18V)	5V	600mA	1.5KVDC	-40~+85°C	CE
SLC03A-12	3W	12V (9~18V)	12V	250mA	1.5KVDC	-40~+85°C	CE
SLC03A-15	3W	12V (9~18V)	15V	200mA	1.5KVDC	-40~+85°C	CE
SLC03B-05	3W	24V (18~36V)	5V	600mA	1.5KVDC	-40~+85°C	CE
SLC03B-12	3W	24V (18~36V)	12V	250mA	1.5KVDC	-40~+85°C	CE
SLC03B-15	3W	24V (18~36V)	15V	200mA	1.5KVDC	-40~+85°C	CE
SLC03C-05	3W	48V (36~75V)	5V	600mA	1.5KVDC	-40~+85°C	CE
SLC03C-12	3W	48V (36~75V)	12V	250mA	1.5KVDC	-40~+85°C	CE
SLC03C-15	3W	48V (36~75V)	15V	200mA	1.5KVDC	-40~+85°C	CE

### DLC03

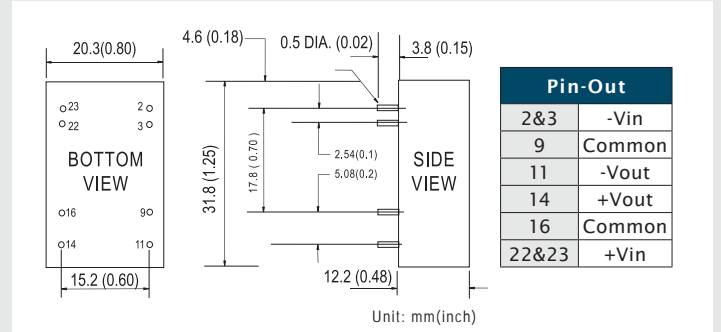
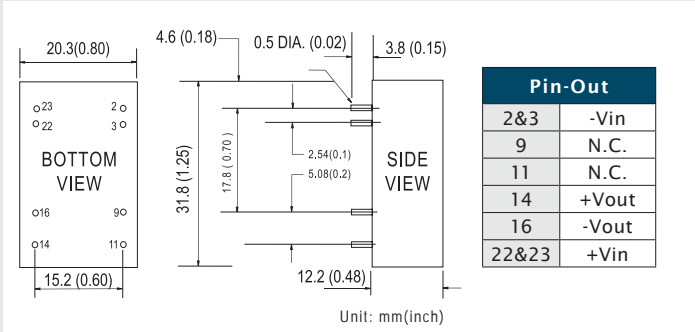
Model No.	Wattage	Vin	Vout	Iout	Isolation voltage	Operating temperature	Safety
DLC03A-05	3W	12V (9~18V)	±5V	±300mA	1.5KVDC	-40~+85°C	CE
DLC03A-12	3W	12V (9~18V)	±12V	±125mA	1.5KVDC	-40~+85°C	CE
DLC03A-15	3W	12V (9~18V)	±15V	±100mA	1.5KVDC	-40~+85°C	CE
DLC03B-05	3W	24V (18~36V)	±5V	±300mA	1.5KVDC	-40~+85°C	CE
DLC03B-12	3W	24V (18~36V)	±12V	±125mA	1.5KVDC	-40~+85°C	CE
DLC03B-15	3W	24V (18~36V)	±15V	±100mA	1.5KVDC	-40~+85°C	CE
DLC03C-05	3W	48V (36~75V)	±5V	±300mA	1.5KVDC	-40~+85°C	CE
DLC03C-12	3W	48V (36~75V)	±12V	±125mA	1.5KVDC	-40~+85°C	CE
DLC03C-15	3W	48V (36~75V)	±15V	±100mA	1.5KVDC	-40~+85°C	CE



▲ SCW03  
1.25" x 0.8" x 0.48"



▲ DCW03  
1.25" x 0.8" x 0.48"



**DIP24 package** | Regulated 3W | 2:1 Vin | Single/Dual Vo

**SCW03**

Model No.	Wattage	Vin	Vout	Iout	Isolation voltage	Operating temperature	Safety
SCW03A-05	3W	12V (9~18V)	5V	600mA	1KVDC	-40~+71°C	FCC / CE
SCW03A-12	3W	12V (9~18V)	12V	250mA	1KVDC	-40~+71°C	FCC / CE
SCW03A-15	3W	12V (9~18V)	15V	200mA	1KVDC	-40~+71°C	FCC / CE
SCW03B-05	3W	24V (18~36V)	5V	600mA	1KVDC	-40~+71°C	FCC / CE
SCW03B-12	3W	24V (18~36V)	12V	250mA	1KVDC	-40~+71°C	FCC / CE
SCW03B-15	3W	24V (18~36V)	15V	200mA	1KVDC	-40~+71°C	FCC / CE
SCW03C-05	3W	48V (36~72V)	5V	600mA	1KVDC	-40~+71°C	FCC / CE
SCW03C-12	3W	48V (36~72V)	12V	250mA	1KVDC	-40~+71°C	FCC / CE
SCW03C-15	3W	48V (36~72V)	15V	200mA	1KVDC	-40~+71°C	FCC / CE

**DCW03**

Model No.	Wattage	Vin	Vout	Iout	Isolation voltage	Operating temperature	Safety
DCW03A-05	3W	12V (9~18V)	±5V	±300mA	1KVDC	-40~+71°C	FCC / CE
DCW03A-12	3W	12V (9~18V)	±12V	±125mA	1KVDC	-40~+71°C	FCC / CE
DCW03A-15	3W	12V (9~18V)	±15V	±100mA	1KVDC	-40~+71°C	FCC / CE
DCW03B-05	3W	24V (18~36V)	±5V	±300mA	1KVDC	-40~+71°C	FCC / CE
DCW03B-12	3W	24V (18~36V)	±12V	±125mA	1KVDC	-40~+71°C	FCC / CE
DCW03B-15	3W	24V (18~36V)	±15V	±100mA	1KVDC	-40~+71°C	FCC / CE
DCW03C-05	3W	48V (36~72V)	±5V	±300mA	1KVDC	-40~+71°C	FCC / CE
DCW03C-12	3W	48V (36~72V)	±12V	±125mA	1KVDC	-40~+71°C	FCC / CE
DCW03C-15	3W	48V (36~72V)	±15V	±100mA	1KVDC	-40~+71°C	FCC / CE

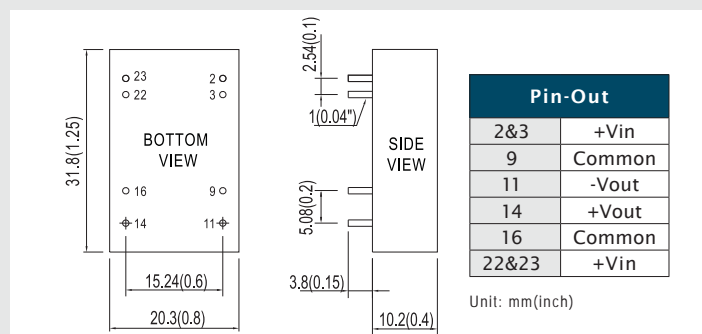
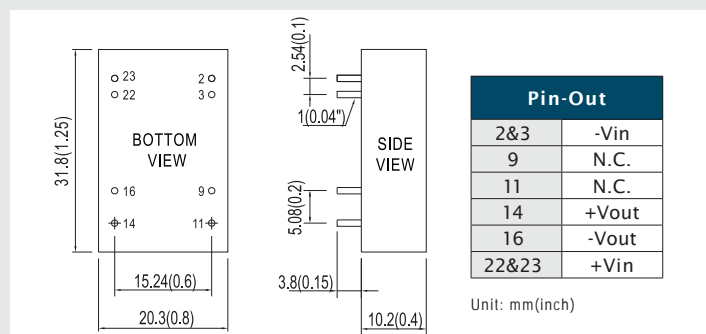
## Module Type 0.5~150W



▲ SCWN03  
1.25" x 0.80" x 0.40"



▲ DCWN03  
1.25" x 0.80" x 0.40"



### DIP24 package

Regulated 3W

| 2:1 Vin

| Single/Dual Vo

### SCWN03

Model No.	Wattage	Vin	Vout	Iout	Isolation voltage	Operating temperature	Safety
SCWN03E-03	3W	5V(4.5~9V)	3.3V	600mA	3KVDC	-40~+90°C	CE
SCWN03E-05	3W	5V(4.5~9V)	5V	600mA	3KVDC	-40~+90°C	CE
SCWN03E-12	3W	5V(4.5~9V)	12V	250mA	3KVDC	-40~+90°C	CE
SCWN03E-15	3W	5V(4.5~9V)	15V	200mA	3KVDC	-40~+90°C	CE
SCWN03A-03	3W	12V(9~18V)	3.3V	600mA	3KVDC	-40~+90°C	CE
SCWN03A-05	3W	12V(9~18V)	5V	600mA	3KVDC	-40~+90°C	CE
SCWN03A-12	3W	12V(9~18V)	12V	250mA	3KVDC	-40~+90°C	CE
SCWN03A-15	3W	12V(9~18V)	15V	200mA	3KVDC	-40~+90°C	CE
SCWN03B-03	3W	24V(18~36V)	3.3V	600mA	3KVDC	-40~+90°C	CE
SCWN03B-05	3W	24V(18~36V)	5V	600mA	3KVDC	-40~+90°C	CE
SCWN03B-12	3W	24V(18~36V)	12V	250mA	3KVDC	-40~+90°C	CE
SCWN03B-15	3W	24V(18~36V)	15V	200mA	3KVDC	-40~+90°C	CE
SCWN03C-03	3W	48V(36~72V)	3.3V	600mA	3KVDC	-40~+90°C	CE
SCWN03C-05	3W	48V(36~72V)	5V	600mA	3KVDC	-40~+90°C	CE
SCWN03C-12	3W	48V(36~72V)	12V	250mA	3KVDC	-40~+90°C	CE
SCWN03C-15	3W	48V(36~72V)	15V	200mA	3KVDC	-40~+90°C	CE

### DCWN03

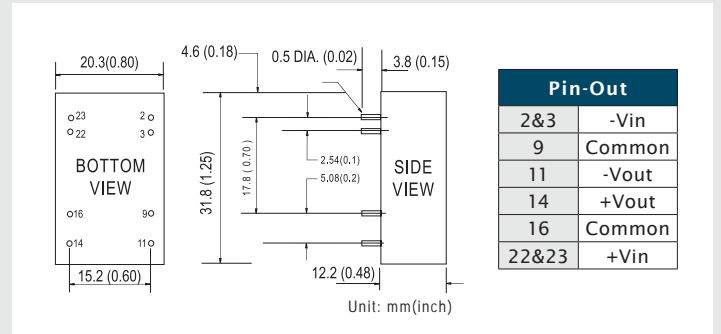
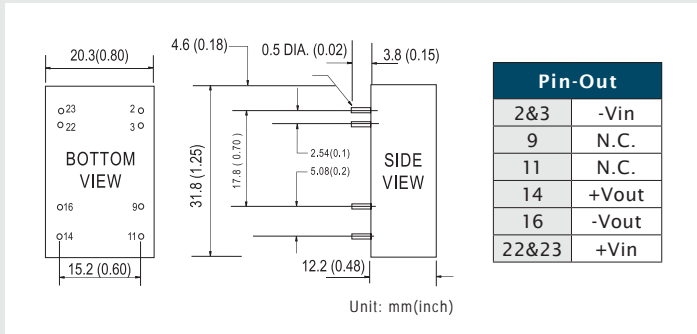
Model No.	Wattage	Vin	Vout	Iout	Isolation voltage	Operating temperature	Safety
DCWN03E-05	3W	5V(4.5~9V)	±5V	±300mA	3KVDC	-40~+90°C	CE
DCWN03E-12	3W	5V(4.5~9V)	±12V	±125mA	3KVDC	-40~+90°C	CE
DCWN03E-15	3W	5V(4.5~9V)	±15V	±100mA	3KVDC	-40~+90°C	CE
DCWN03A-05	3W	12V(9~18V)	±5V	±300mA	3KVDC	-40~+90°C	CE
DCWN03A-12	3W	12V(9~18V)	±12V	±125mA	3KVDC	-40~+90°C	CE
DCWN03A-15	3W	12V(9~18V)	±15V	±100mA	3KVDC	-40~+90°C	CE
DCWN03B-05	3W	24V(18~36V)	±5V	±300mA	3KVDC	-40~+90°C	CE
DCWN03B-12	3W	24V(18~36V)	±12V	±125mA	3KVDC	-40~+90°C	CE
DCWN03B-15	3W	24V(18~36V)	±15V	±100mA	3KVDC	-40~+90°C	CE
DCWN03C-05	3W	48V(36~72V)	±5V	±300mA	3KVDC	-40~+90°C	CE
DCWN03C-12	3W	48V(36~72V)	±12V	±125mA	3KVDC	-40~+90°C	CE
DCWN03C-15	3W	48V(36~72V)	±15V	±100mA	3KVDC	-40~+90°C	CE



▲ SCW05  
1.25" x 0.80" x 0.48"



▲ DCW05  
1.25" x 0.80" x 0.48"



**DIP24 package**    Regulated 5W    |    2:1 Vin    |    Single/Dual Vo

**SCW05**

Model No.	Wattage	Vin	Vout	Iout	Isolation voltage	Operating temperature	Safety
SCW05A-05	5W	12V (9~18V)	5V	1000mA	1KVDC	-40~+71°C	FCC / CE
SCW05A-09	5W	12V (9~18V)	9V	556mA	1KVDC	-40~+71°C	FCC / CE
SCW05A-12	6W	12V (9~18V)	12V	470mA	1KVDC	-40~+71°C	FCC / CE
SCW05A-15	6W	12V (9~18V)	15V	400mA	1KVDC	-40~+71°C	FCC / CE
SCW05B-05	5W	24V (18~36V)	5V	1000mA	1KVDC	-40~+71°C	FCC / CE
SCW05B-09	5W	24V (18~36V)	9V	556mA	1KVDC	-40~+71°C	FCC / CE
SCW05B-12	6W	24V (18~36V)	12V	470mA	1KVDC	-40~+71°C	FCC / CE
SCW05B-15	6W	24V (18~36V)	15V	400mA	1KVDC	-40~+71°C	FCC / CE
SCW05C-05	5W	48V (36~72V)	5V	1000mA	1KVDC	-40~+71°C	FCC / CE
SCW05C-09	5W	48V (36~72V)	9V	556mA	1KVDC	-40~+71°C	FCC / CE
SCW05C-12	6W	48V (36~72V)	12V	470mA	1KVDC	-40~+71°C	FCC / CE
SCW05C-15	6W	48V (36~72V)	15V	400mA	1KVDC	-40~+71°C	FCC / CE

**DCW05**

Model No.	Wattage	Vin	Vout	Iout	Isolation voltage	Operating temperature	Safety
DCW05A-05	5W	12V (9~18V)	±5V	±500mA	1KVDC	-40~+71°C	FCC / CE
DCW05A-12	6W	12V (9~18V)	±12V	±230mA	1KVDC	-40~+71°C	FCC / CE
DCW05A-15	6W	12V (9~18V)	±15V	±190mA	1KVDC	-40~+71°C	FCC / CE
DCW05B-05	5W	24V (18~36V)	±5V	±500mA	1KVDC	-40~+71°C	FCC / CE
DCW05B-12	6W	24V (18~36V)	±12V	±230mA	1KVDC	-40~+71°C	FCC / CE
DCW05B-15	6W	24V (18~36V)	±15V	±190mA	1KVDC	-40~+71°C	FCC / CE
DCW05C-05	5W	48V (36~72V)	±5V	±500mA	1KVDC	-40~+71°C	FCC / CE
DCW05C-12	6W	48V (36~72V)	±12V	±230mA	1KVDC	-40~+71°C	FCC / CE
DCW05C-15	6W	48V (36~72V)	±15V	±190mA	1KVDC	-40~+71°C	FCC / CE

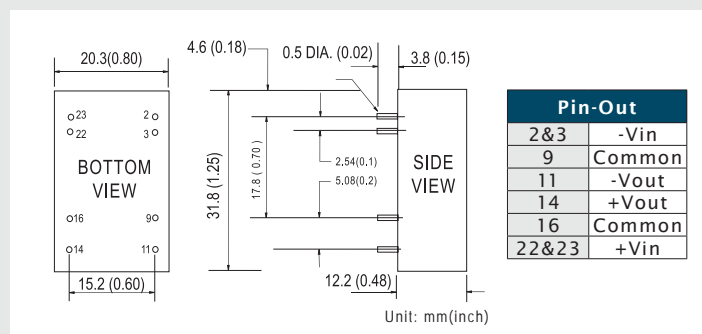
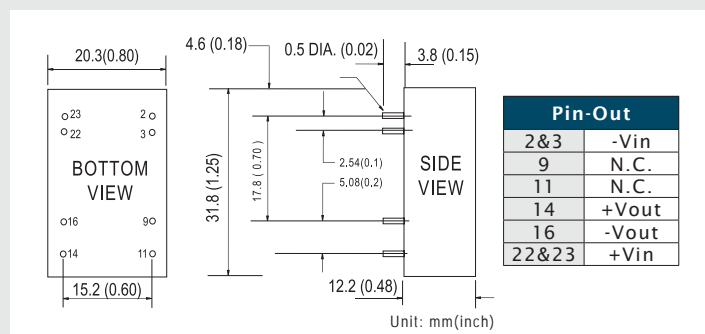
## Module Type 0.5~150W



▲ SCW08  
1.25" x 0.8" x 0.48"



▲ DCW08  
1.25" x 0.8" x 0.48"



## DIP24 package

Regulated 8W | 2:1 Vin | Single/Dual Vo

### SCW08

Model No.	Wattage	Vin	Vout	Iout	Isolation voltage	Operating temperature	Safety
SCW08A-05	8W	12V (9~18V)	5V	1600mA	1KVDC	-40~+71°C	FCC / CE
SCW08A-12	8W	12V (9~18V)	12V	670mA	1KVDC	-40~+71°C	FCC / CE
SCW08A-15	8W	12V (9~18V)	15V	533mA	1KVDC	-40~+71°C	FCC / CE
SCW08B-05	8W	24V (18~36V)	5V	1600mA	1KVDC	-40~+71°C	FCC / CE
SCW08B-12	8W	24V (18~36V)	12V	670mA	1KVDC	-40~+71°C	FCC / CE
SCW08B-15	8W	24V (18~36V)	15V	533mA	1KVDC	-40~+71°C	FCC / CE
SCW08C-05	8W	48V (36~72V)	5V	1600mA	1KVDC	-40~+71°C	FCC / CE
SCW08C-12	8W	48V (36~72V)	12V	670mA	1KVDC	-40~+71°C	FCC / CE
SCW08C-15	8W	48V (36~72V)	15V	533mA	1KVDC	-40~+71°C	FCC / CE

### DCW08

Model No.	Wattage	Vin	Vout	Iout	Isolation voltage	Operating temperature	Safety
DCW08A-05	8W	12V (9~18V)	±5V	±800mA	1KVDC	-40~+71°C	FCC / CE
DCW08A-12	8W	12V (9~18V)	±12V	±335mA	1KVDC	-40~+71°C	FCC / CE
DCW08A-15	8W	12V (9~18V)	±15V	±267mA	1KVDC	-40~+71°C	FCC / CE
DCW08B-05	8W	24V (18~36V)	±5V	±800mA	1KVDC	-40~+71°C	FCC / CE
DCW08B-12	8W	24V (18~36V)	±12V	±335mA	1KVDC	-40~+71°C	FCC / CE
DCW08B-15	8W	24V (18~36V)	±15V	±267mA	1KVDC	-40~+71°C	FCC / CE
DCW08C-05	8W	48V (36~72V)	±5V	±800mA	1KVDC	-40~+71°C	FCC / CE
DCW08C-12	8W	48V (36~72V)	±12V	±335mA	1KVDC	-40~+71°C	FCC / CE
DCW08C-15	8W	48V (36~72V)	±15V	±267mA	1KVDC	-40~+71°C	FCC / CE

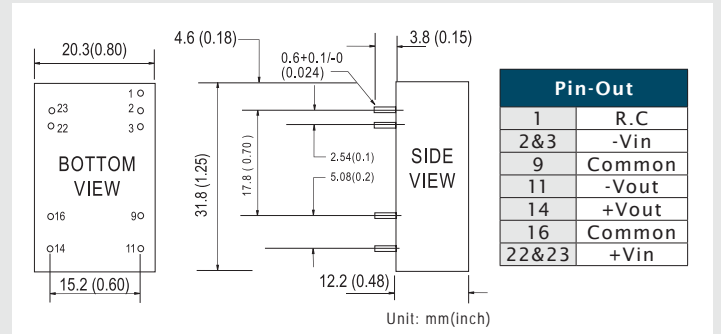
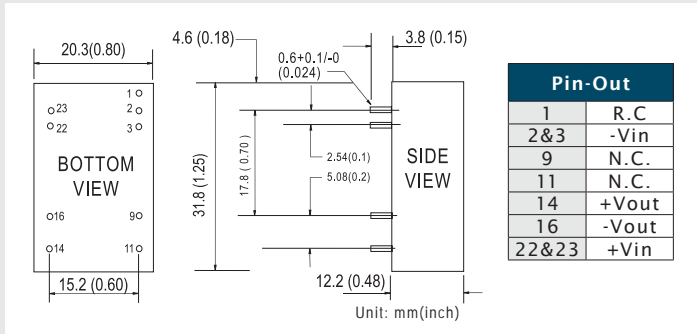




▲ SCW12  
1.25" x 0.80" x 0.48"



▲ DCW12  
1.25" x 0.80" x 0.48"



**DIP24 package**    Regulated 12W    |    2:1 Vin    |    Single/Dual Vo

**SCW12**

Model No.	Wattage	Vin	Vout	Iout	Isolation voltage	Operating temperature	Safety
SCW12A-05	12W	12V (9~18V)	5V	2400mA	1.5KVDC	-40~+71°C	FCC / CE
SCW12A-12	12W	12V (9~18V)	12V	1000mA	1.5KVDC	-40~+71°C	FCC / CE
SCW12A-15	12W	12V (9~18V)	15V	800mA	1.5KVDC	-40~+71°C	FCC / CE
SCW12B-05	12W	24V (18~36V)	5V	2400mA	1.5KVDC	-40~+71°C	FCC / CE
SCW12B-12	12W	24V (18~36V)	12V	1000mA	1.5KVDC	-40~+71°C	FCC / CE
SCW12B-15	12W	24V (18~36V)	15V	800mA	1.5KVDC	-40~+71°C	FCC / CE
SCW12C-05	12W	48V (36~72V)	5V	2400mA	1.5KVDC	-40~+71°C	FCC / CE
SCW12C-12	12W	48V (36~72V)	12V	1000mA	1.5KVDC	-40~+71°C	FCC / CE
SCW12C-15	12W	48V (36~72V)	15V	800mA	1.5KVDC	-40~+71°C	FCC / CE

**DCW12**

Model No.	Wattage	Vin	Vout	Iout	Isolation voltage	Operating temperature	Safety
DCW12A-05	12W	12V (9~18V)	±5V	±1200mA	1.5KVDC	-40~+71°C	FCC / CE
DCW12A-12	12W	12V (9~18V)	±12V	±500mA	1.5KVDC	-40~+71°C	FCC / CE
DCW12A-15	12W	12V (9~18V)	±15V	±400mA	1.5KVDC	-40~+71°C	FCC / CE
DCW12B-05	12W	24V (18~36V)	±5V	±1200mA	1.5KVDC	-40~+71°C	FCC / CE
DCW12B-12	12W	24V (18~36V)	±12V	±500mA	1.5KVDC	-40~+71°C	FCC / CE
DCW12B-15	12W	24V (18~36V)	±15V	±400mA	1.5KVDC	-40~+71°C	FCC / CE
DCW12C-05	12W	48V (36~72V)	±5V	±1200mA	1.5KVDC	-40~+71°C	FCC / CE
DCW12C-12	12W	48V (36~72V)	±12V	±500mA	1.5KVDC	-40~+71°C	FCC / CE
DCW12C-15	12W	48V (36~72V)	±15V	±400mA	1.5KVDC	-40~+71°C	FCC / CE

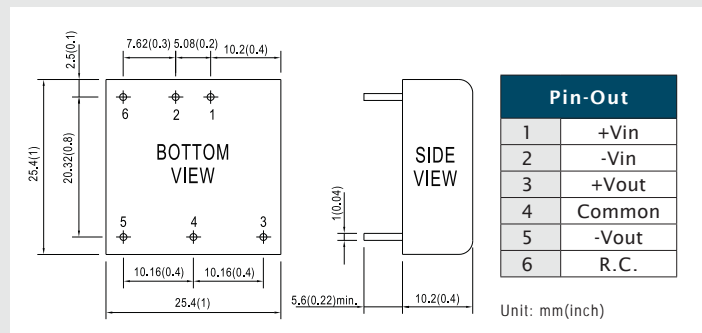
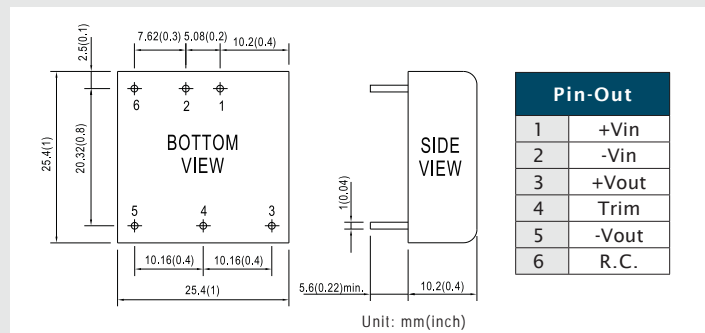
## Module Type 0.5~150W



▲ SKM10  
1" x 1" x 0.40"



▲ DKM10  
1" x 1" x 0.40"



## 1"x1" package Regulated 10W | 2:1 Vin | Single/Dual Vo

### SKM10

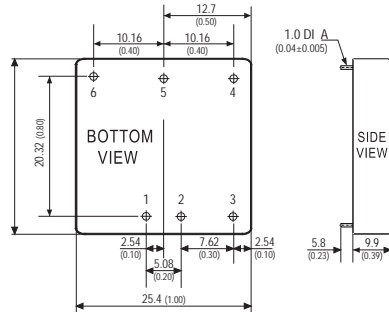
Model No.	Wattage	Vin	Vout	Iout	Isolation voltage	Operating temperature	Safety
SKM10E-03	8W	5V(4.7~9V)	3.3V	2500mA	1.5KVDC	-40~+85°C	CE
SKM10E-05	10W	5V(4.7~9V)	5V	2000mA	1.5KVDC	-40~+85°C	CE
SKM10E-12	10W	5V(4.7~9V)	12V	833mA	1.5KVDC	-40~+85°C	CE
SKM10E-15	10W	5V(4.7~9V)	15V	666mA	1.5KVDC	-40~+85°C	CE
SKM10A-03	8W	12V(9~18V)	3.3V	2500mA	1.5KVDC	-40~+85°C	CE
SKM10A-05	10W	12V(9~18V)	5V	2000mA	1.5KVDC	-40~+85°C	CE
SKM10A-12	10W	12V(9~18V)	12V	833mA	1.5KVDC	-40~+85°C	CE
SKM10A-15	10W	12V(9~18V)	15V	666mA	1.5KVDC	-40~+85°C	CE
SKM10B-03	8W	24V(18~36V)	3.3V	2500mA	1.5KVDC	-40~+85°C	CE
SKM10B-05	10W	24V(18~36V)	5V	2000mA	1.5KVDC	-40~+85°C	CE
SKM10B-12	10W	24V(18~36V)	12V	833mA	1.5KVDC	-40~+85°C	CE
SKM10B-15	10W	24V(18~36V)	15V	666mA	1.5KVDC	-40~+85°C	CE
SKM10C-03	8W	48V(36~75V)	3.3V	2500mA	1.5KVDC	-40~+85°C	CE
SKM10C-05	10W	48V(36~75V)	5V	2000mA	1.5KVDC	-40~+85°C	CE
SKM10C-12	10W	48V(36~75V)	12V	833mA	1.5KVDC	-40~+85°C	CE
SKM10C-15	10W	48V(36~75V)	15V	666mA	1.5KVDC	-40~+85°C	CE

### DKM10

Model No.	Wattage	Vin	Vout	Iout	Isolation voltage	Operating temperature	Safety
DKM10E-05	10W	5V(4.7~9V)	±5V	±1000mA	1.5KVDC	-40~+85°C	CE
DKM10E-12	10W	5V(4.7~9V)	±12V	±416mA	1.5KVDC	-40~+85°C	CE
DKM10E-15	10W	5V(4.7~9V)	±15V	±333mA	1.5KVDC	-40~+85°C	CE
DKM10A-05	10W	12V(9~18V)	±5V	±1000mA	1.5KVDC	-40~+85°C	CE
DKM10A-12	10W	12V(9~18V)	±12V	±416mA	1.5KVDC	-40~+85°C	CE
DKM10A-15	10W	12V(9~18V)	±15V	±333mA	1.5KVDC	-40~+85°C	CE
DKM10B-05	10W	24V(18~36V)	±5V	±1000mA	1.5KVDC	-40~+85°C	CE
DKM10B-12	10W	24V(18~36V)	±12V	±416mA	1.5KVDC	-40~+85°C	CE
DKM10B-15	10W	24V(18~36V)	±15V	±333mA	1.5KVDC	-40~+85°C	CE
DKM10C-05	10W	48V(36~75V)	±5V	±1000mA	1.5KVDC	-40~+85°C	CE
DKM10C-12	10W	48V(36~75V)	±12V	±416mA	1.5KVDC	-40~+85°C	CE
DKM10C-15	10W	48V(36~75V)	±15V	±333mA	1.5KVDC	-40~+85°C	CE



▲ SKM15  
1" x 1" x 0.39"



Pin-Out	
1	+Vin
2	-Vin
3	R.C
4	-Vout
5	Trim
6	+Vout

Unit: mm(inch)

1"x1" package Regulated 15W | 2:1 Vin | Single Vo

SKM15

Model No.	Wattage	Vin	Vout	Iout	Isolation voltage	Operating temperature	Safety
SKM15A-05	15W	12V (9~18V)	5V	3000mA	1.5KVDC	-40~+80°C	FCC / CE
SKM15A-12	15W	12V (9~18V)	12V	1250mA	1.5KVDC	-40~+80°C	FCC / CE
SKM15A-15	15W	12V (9~18V)	15V	1000mA	1.5KVDC	-40~+80°C	FCC / CE
SKM15B-05	15W	24V (18~36V)	5V	3000mA	1.5KVDC	-40~+80°C	FCC / CE
SKM15B-12	15W	24V (18~36V)	12V	1250mA	1.5KVDC	-40~+80°C	FCC / CE
SKM15B-15	15W	24V (18~36V)	15V	1000mA	1.5KVDC	-40~+80°C	FCC / CE
SKM15C-05	15W	48V (36~75V)	5V	3000mA	1.5KVDC	-40~+80°C	FCC / CE
SKM15C-12	15W	48V (36~75V)	12V	1250mA	1.5KVDC	-40~+80°C	FCC / CE
SKM15C-15	15W	48V (36~75V)	15V	1000mA	1.5KVDC	-40~+80°C	FCC / CE

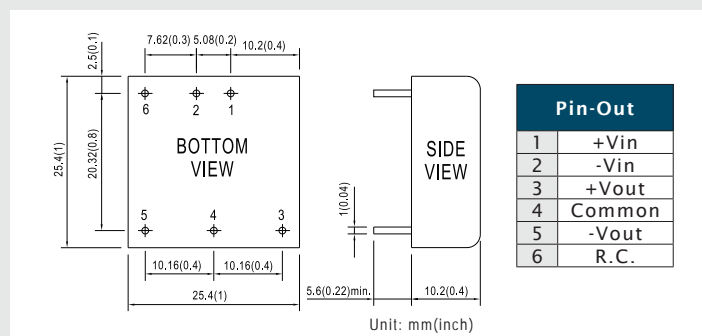
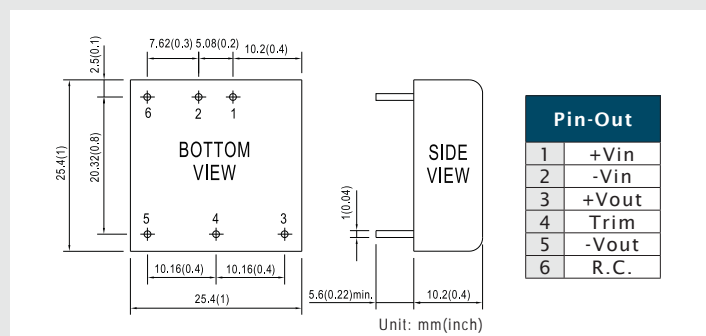
## Module Type 0.5~150W



▲ SKMW20  
1" x 1" x 0.40"



▲ DKMW20  
1" x 1" x 0.40"



### 1"x1" package

Regulated 20W | 4:1 Vin | Single/Dual Vo

#### SKMW20

Model No.	Wattage	Vin	Vout	Iout	Isolation voltage	Operating temperature	Safety
SKMW20F-03	15W	24V(9~36V)	3.3V	4500mA	1.5KVDC	-40~+85°C	CE
SKMW20F-05	20W	24V(9~36V)	5V	4000mA	1.5KVDC	-40~+85°C	CE
SKMW20F-12	20W	24V(9~36V)	12V	1670mA	1.5KVDC	-40~+85°C	CE
SKMW20F-15	20W	24V(9~36V)	15V	1330mA	1.5KVDC	-40~+85°C	CE
SKMW20G-03	15W	48V(18~75V)	3.3V	4500mA	1.5KVDC	-40~+85°C	CE
SKMW20G-05	20W	48V(18~75V)	5V	4000mA	1.5KVDC	-40~+85°C	CE
SKMW20G-12	20W	48V(18~75V)	12V	1670mA	1.5KVDC	-40~+85°C	CE
SKMW20G-15	20W	48V(18~75V)	15V	1330mA	1.5KVDC	-40~+85°C	CE

#### DKMW20

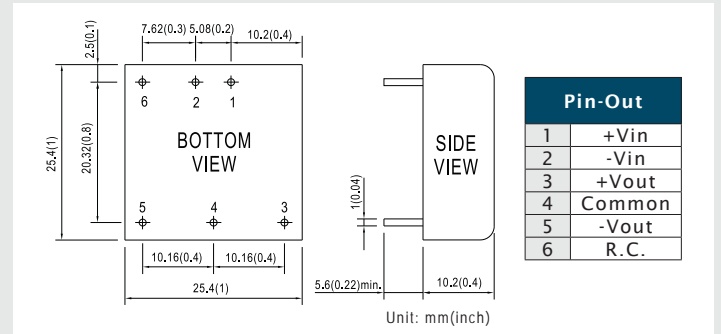
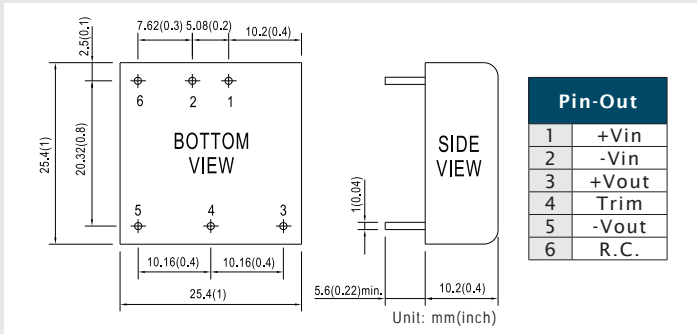
Model No.	Wattage	Vin	Vout	Iout	Isolation voltage	Operating temperature	Safety
DKMW20F-12	20W	24V(9~36V)	±12V	±830mA	1.5KVDC	-40~+85°C	CE
DKMW20F-15	20W	24V(9~36V)	±15V	±660mA	1.5KVDC	-40~+85°C	CE
DKMW20G-12	20W	48V(18~75V)	±12V	±830mA	1.5KVDC	-40~+85°C	CE
DKMW20G-15	20W	48V(18~75V)	±15V	±660mA	1.5KVDC	-40~+85°C	CE



▲ SKMW30  
1" x 1" x 0.4"



▲ DKMW30  
1" x 1" x 0.4"



**1"x1" package** Regulated 30W | 4:1 Vin | Single/Dual Vo

**SKMW30**

Model No.	Wattage	Vin	Vout	Iout	Isolation voltage	Operating temperature	Safety
SKMW30F-03	25W	24V(9~36V)	3.3V	7500mA	1.5KVDC	-40~+85°C	CE
SKMW30F-05	30W	24V(9~36V)	5V	6000mA	1.5KVDC	-40~+85°C	CE
SKMW30F-12	30W	24V(9~36V)	12V	2500mA	1.5KVDC	-40~+85°C	CE
SKMW30F-15	30W	24V(9~36V)	15V	2000mA	1.5KVDC	-40~+85°C	CE
SKMW30G-03	25W	48V(18~75V)	3.3V	7500mA	1.5KVDC	-40~+85°C	CE
SKMW30G-05	30W	48V(18~75V)	5V	6000mA	1.5KVDC	-40~+85°C	CE
SKMW30G-12	30W	48V(18~75V)	12V	2500mA	1.5KVDC	-40~+85°C	CE
SKMW30G-15	30W	48V(18~75V)	15V	2000mA	1.5KVDC	-40~+85°C	CE

**DKMW30**

Model No.	Wattage	Vin	Vout	Iout	Isolation voltage	Operating temperature	Safety
DKMW30F-12	30W	24V(9~36V)	±12V	±1250mA	1.5KVDC	-40~+85°C	CE
DKMW30F-15	30W	24V(9~36V)	±15V	±1000mA	1.5KVDC	-40~+85°C	CE
DKMW30G-12	30W	48V(18~75V)	±12V	±1250mA	1.5KVDC	-40~+85°C	CE
DKMW30G-15	30W	48V(18~75V)	±15V	±1000mA	1.5KVDC	-40~+85°C	CE

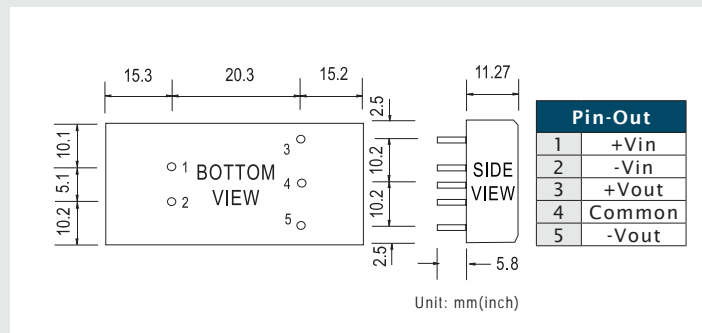
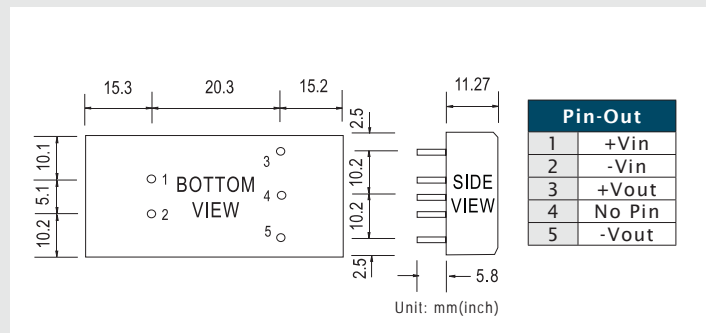
## Module Type 0.5~150W



▲ SLW05  
2" x 1" x 0.44"



▲ DLW05  
2" x 1" x 0.44"



### 2"x1" package

Regulated 5W | 2:1 Vin | Single/Dual Vo

#### SLW05

Model No.	Wattage	Vin	Vout	Iout	Isolation voltage	Operating temperature	Safety
SLW05A-05	5W	12V (9~18V)	5V	1000mA	1KVDC	-25~+71°C	FCC / CE
SLW05A-09	5W	12V (9~18V)	9V	556mA	1KVDC	-25~+71°C	FCC / CE
SLW05A-12	5W	12V (9~18V)	12V	417mA	1KVDC	-25~+71°C	FCC / CE
SLW05A-15	5W	12V (9~18V)	15V	333mA	1KVDC	-25~+71°C	FCC / CE
SLW05B-05	5W	24V (18~36V)	5V	1000mA	1KVDC	-25~+71°C	FCC / CE
SLW05B-09	5W	24V (18~36V)	9V	556mA	1KVDC	-25~+71°C	FCC / CE
SLW05B-12	5W	24V (18~36V)	12V	417mA	1KVDC	-25~+71°C	FCC / CE
SLW05B-15	5W	24V (18~36V)	15V	333mA	1KVDC	-25~+71°C	FCC / CE
SLW05C-05	5W	48V (36~72V)	5V	1000mA	1KVDC	-25~+71°C	FCC / CE
SLW05C-09	5W	48V (36~72V)	9V	556mA	1KVDC	-25~+71°C	FCC / CE
SLW05C-12	5W	48V (36~72V)	12V	417mA	1KVDC	-25~+71°C	FCC / CE
SLW05C-15	5W	48V (36~72V)	15V	333mA	1KVDC	-25~+71°C	FCC / CE

#### DLW05

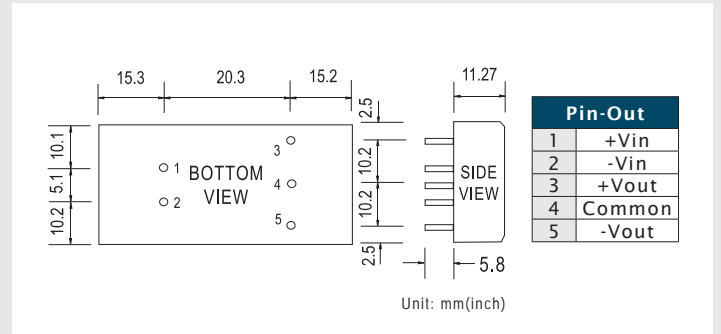
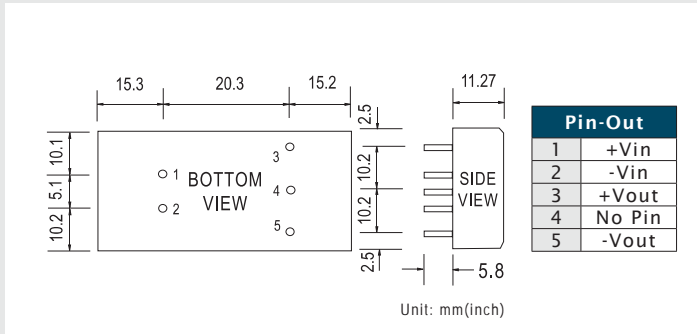
Model No.	Wattage	Vin	Vout	Iout	Isolation voltage	Operating temperature	Safety
DLW05A-05	5W	12V (9~18V)	±5V	±500mA	1KVDC	-25~+71°C	FCC / CE
DLW05A-12	5W	12V (9~18V)	±12V	±208mA	1KVDC	-25~+71°C	FCC / CE
DLW05A-15	5W	12V (9~18V)	±15V	±167mA	1KVDC	-25~+71°C	FCC / CE
DLW05B-05	5W	24V (18~36V)	±5V	±500mA	1KVDC	-25~+71°C	FCC / CE
DLW05B-12	5W	24V (18~36V)	±12V	±208mA	1KVDC	-25~+71°C	FCC / CE
DLW05B-15	5W	24V (18~36V)	±15V	±167mA	1KVDC	-25~+71°C	FCC / CE
DLW05C-05	5W	48V (36~72V)	±5V	±500mA	1KVDC	-25~+71°C	FCC / CE
DLW05C-12	5W	48V (36~72V)	±12V	±208mA	1KVDC	-25~+71°C	FCC / CE
DLW05C-15	5W	48V (36~72V)	±15V	±167mA	1KVDC	-25~+71°C	FCC / CE



▲ SKE10  
2" x 1" x 0.44"



▲ DKE10  
2" x 1" x 0.44"



**2"x1" package**      Regulated 10W   |   2:1 Vin   |   Single/Dual Vo

**SKE10**

Model No.	Wattage	Vin	Vout	Iout	Isolation voltage	Operating temperature	Safety
SKE10A-05	10W	12V (9~18V)	5V	2000mA	1KVDC	-25~+71°C	FCC / CE
SKE10A-12	10W	12V (9~18V)	12V	840mA	1KVDC	-25~+71°C	FCC / CE
SKE10A-15	10W	12V (9~18V)	15V	660mA	1KVDC	-25~+71°C	FCC / CE
SKE10A-24	10W	12V (9~18V)	24V	420mA	1KVDC	-25~+71°C	FCC / CE
SKE10B-05	10W	24V (18~36V)	5V	2000mA	1KVDC	-25~+71°C	FCC / CE
SKE10B-12	10W	24V (18~36V)	12V	840mA	1KVDC	-25~+71°C	FCC / CE
SKE10B-15	10W	24V (18~36V)	15V	660mA	1KVDC	-25~+71°C	FCC / CE
SKE10B-24	10W	24V (18~36V)	24V	420mA	1KVDC	-25~+71°C	FCC / CE
SKE10C-05	10W	48V (36~72V)	5V	2000mA	1KVDC	-25~+71°C	FCC / CE
SKE10C-12	10W	48V (36~72V)	12V	840mA	1KVDC	-25~+71°C	FCC / CE
SKE10C-15	10W	48V (36~72V)	15V	660mA	1KVDC	-25~+71°C	FCC / CE
SKE10C-24	10W	48V (36~72V)	24V	420mA	1KVDC	-25~+71°C	FCC / CE

**DKE10**

Model No.	Wattage	Vin	Vout	Iout	Isolation voltage	Operating temperature	Safety
DKE10A-05	10W	12V (9~18V)	±5V	±1000mA	1KVDC	-25~+71°C	FCC / CE
DKE10A-12	10W	12V (9~18V)	±12V	±420mA	1KVDC	-25~+71°C	FCC / CE
DKE10A-15	10W	12V (9~18V)	±15V	±333mA	1KVDC	-25~+71°C	FCC / CE
DKE10A-24	10W	12V (9~18V)	±24V	±210mA	1KVDC	-25~+71°C	FCC / CE
DKE10B-05	10W	24V (18~36V)	±5V	±1000mA	1KVDC	-25~+71°C	FCC / CE
DKE10B-12	10W	24V (18~36V)	±12V	±420mA	1KVDC	-25~+71°C	FCC / CE
DKE10B-15	10W	24V (18~36V)	±15V	±333mA	1KVDC	-25~+71°C	FCC / CE
DKE10B-24	10W	24V (18~36V)	±24V	±210mA	1KVDC	-25~+71°C	FCC / CE
DKE10C-05	10W	48V (36~72V)	±5V	±1000mA	1KVDC	-25~+71°C	FCC / CE
DKE10C-12	10W	48V (36~72V)	±12V	±420mA	1KVDC	-25~+71°C	FCC / CE
DKE10C-15	10W	48V (36~72V)	±15V	±333mA	1KVDC	-25~+71°C	FCC / CE
DKE10C-24	10W	48V (36~72V)	±24V	±210mA	1KVDC	-25~+71°C	FCC / CE

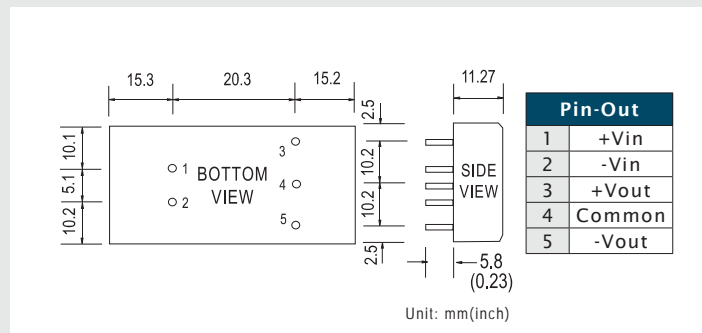
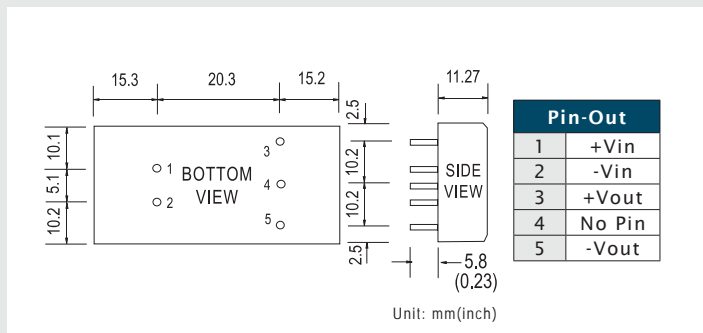
## Module Type 0.5~150W



▲ SKA15  
2" x 1" x 0.44"



▲ DKA15  
2" x 1" x 0.44"



### 2"x1" package

Regulated 15W | 2:1 Vin | Single/Dual Vo

#### SKA15

Model No.	Wattage	Vin	Vout	Iout	Isolation voltage	Operating temperature	Safety
SKA15A-033	10W	12V (9~18V)	3.3V	3000mA	1KVDC	-40~+71°C	FCC / CE
SKA15A-05	15W	12V (9~18V)	5V	3000mA	1KVDC	-40~+71°C	FCC / CE
SKA15A-12	15W	12V (9~18V)	12V	1250mA	1KVDC	-40~+71°C	FCC / CE
SKA15A-15	15W	12V (9~18V)	15V	1000mA	1KVDC	-40~+71°C	FCC / CE
SKA15B-033	10W	24V (18~36V)	3.3V	3000mA	1KVDC	-40~+71°C	FCC / CE
SKA15B-05	15W	24V (18~36V)	5V	3000mA	1KVDC	-40~+71°C	FCC / CE
SKA15B-12	15W	24V (18~36V)	12V	1250mA	1KVDC	-40~+71°C	FCC / CE
SKA15B-15	15W	24V (18~36V)	15V	1000mA	1KVDC	-40~+71°C	FCC / CE
SKA15C-033	10W	48V (36~72V)	3.3V	3000mA	1KVDC	-40~+71°C	FCC / CE
SKA15C-05	15W	48V (36~72V)	5V	3000mA	1KVDC	-40~+71°C	FCC / CE
SKA15C-12	15W	48V (36~72V)	12V	1250mA	1KVDC	-40~+71°C	FCC / CE
SKA15C-15	15W	48V (36~72V)	15V	1000mA	1KVDC	-40~+71°C	FCC / CE

#### DKA15

Model No.	Wattage	Vin	Vout	Iout	Isolation voltage	Operating temperature	Safety
DKA15A-05	15W	12V (9~18V)	±5V	±1500mA	1KVDC	-40~+71°C	FCC / CE
DKA15A-12	15W	12V (9~18V)	±12V	±625mA	1KVDC	-40~+71°C	FCC / CE
DKA15A-15	15W	12V (9~18V)	±15V	±500mA	1KVDC	-40~+71°C	FCC / CE
DKA15B-05	15W	24V (18~36V)	±5V	±1500mA	1KVDC	-40~+71°C	FCC / CE
DKA15B-12	15W	24V (18~36V)	±12V	±625mA	1KVDC	-40~+71°C	FCC / CE
DKA15B-15	15W	24V (18~36V)	±15V	±500mA	1KVDC	-40~+71°C	FCC / CE
DKA15C-05	15W	48V (36~72V)	±5V	±1500mA	1KVDC	-40~+71°C	FCC / CE
DKA15C-12	15W	48V (36~72V)	±12V	±625mA	1KVDC	-40~+71°C	FCC / CE
DKA15C-15	15W	48V (36~72V)	±15V	±500mA	1KVDC	-40~+71°C	FCC / CE





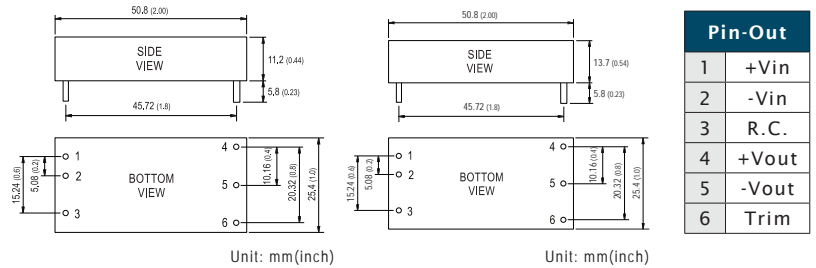
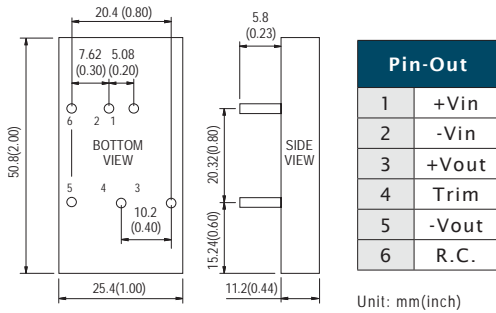
▲ SKA20  
2" x 1" x 0.44"



▲ SKM30  
2" x 1" x 0.44"



▲ SKM50  
2" x 1" x 0.54"



**2"x1" package** Regulated 20W/30W/50W | 2:1 Vin | Single Vo

**SKA20**

Model No.	Wattage	Vin	Vout	Iout	Isolation voltage	Operating temperature	Safety
SKA20A-05	20W	12V (9~18V)	5V	4000mA	1.5KVDC	-40~+85°C	FCC / CE
SKA20A-12	20W	12V (9~18V)	12V	1666mA	1.5KVDC	-40~+85°C	FCC / CE
SKA20A-15	20W	12V (9~18V)	15V	1333mA	1.5KVDC	-40~+85°C	FCC / CE
SKA20B-05	20W	24V (18~36V)	5V	4000mA	1.5KVDC	-40~+85°C	FCC / CE
SKA20B-12	20W	24V (18~36V)	12V	1666mA	1.5KVDC	-40~+85°C	FCC / CE
SKA20B-15	20W	24V (18~36V)	15V	1333mA	1.5KVDC	-40~+85°C	FCC / CE
SKA20C-05	20W	48V (36~75V)	5V	4000mA	1.5KVDC	-40~+85°C	FCC / CE
SKA20C-12	20W	48V (36~75V)	12V	1666mA	1.5KVDC	-40~+85°C	FCC / CE
SKA20C-15	20W	48V (36~75V)	15V	1333mA	1.5KVDC	-40~+85°C	FCC / CE

**SKM30**

Model No.	Wattage	Vin	Vout	Iout	Isolation voltage	Operating temperature	Safety
SKM30A-05	30W	12V (9~18V)	5V	6000mA	1.5KVDC	-40~+75°C	FCC / CE
SKM30A-12	30W	12V (9~18V)	12V	2500mA	1.5KVDC	-40~+75°C	FCC / CE
SKM30A-15	30W	12V (9~18V)	15V	2000mA	1.5KVDC	-40~+75°C	FCC / CE
SKM30B-05	30W	24V (18~36V)	5V	6000mA	1.5KVDC	-40~+75°C	FCC / CE
SKM30B-12	30W	24V (18~36V)	12V	2500mA	1.5KVDC	-40~+75°C	FCC / CE
SKM30B-15	30W	24V (18~36V)	15V	2000mA	1.5KVDC	-40~+75°C	FCC / CE
SKM30C-05	30W	48V (36~75V)	5V	6000mA	1.5KVDC	-40~+75°C	FCC / CE
SKM30C-12	30W	48V (36~75V)	12V	2500mA	1.5KVDC	-40~+75°C	FCC / CE
SKM30C-15	30W	48V (36~75V)	15V	2000mA	1.5KVDC	-40~+75°C	FCC / CE

**SKM50**

Model No.	Wattage	Vin	Vout	Iout	Isolation voltage	Operating temperature	Safety
SKM50B-05	50W	24V (18~36V)	5V	10A	1.5KVDC	-40~+75°C	FCC / CE
SKM50B-12	50W	24V (18~36V)	12V	4170mA	1.5KVDC	-40~+75°C	FCC / CE
SKM50B-15	50W	24V (18~36V)	15V	3330mA	1.5KVDC	-40~+75°C	FCC / CE
SKM50C-05	50W	48V (36~75V)	5V	10A	1.5KVDC	-40~+75°C	FCC / CE
SKM50C-12	50W	48V (36~75V)	12V	4170mA	1.5KVDC	-40~+75°C	FCC / CE
SKM50C-15	50W	48V (36~75V)	15V	3330mA	1.5KVDC	-40~+75°C	FCC / CE

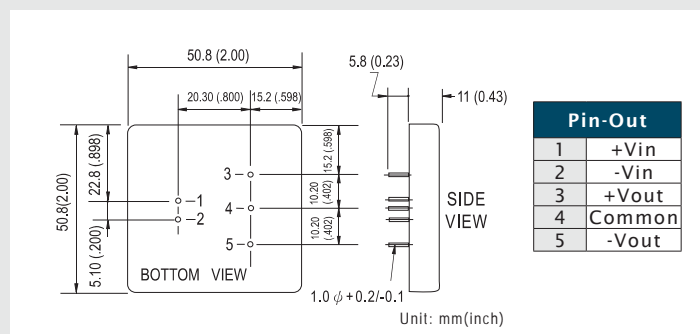
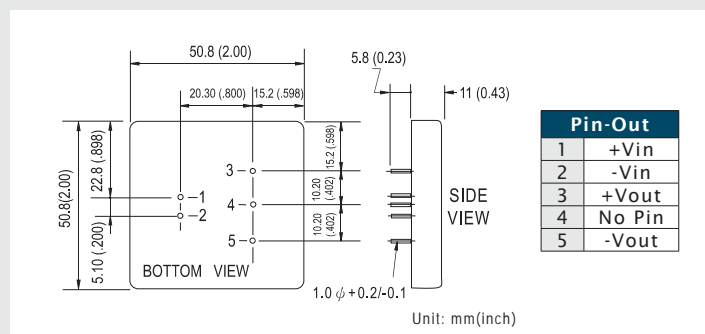
## Module Type 0.5~150W



▲ SKE15  
2" x 2" x 0.43"



▲ DKE15  
2" x 2" x 0.43"



## 2"x2" package Regulated 15W | 2:1 Vin | Single/Dual Vo

### SKE15

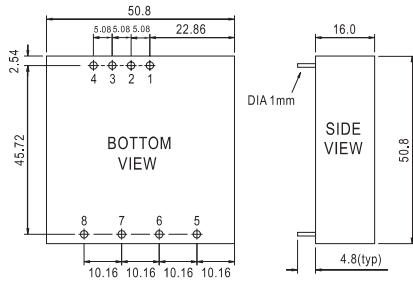
Model No.	Wattage	Vin	Vout	Iout	Isolation voltage	Operating temperature	Safety
SKE15A-05	15W	12V (9~18V)	5V	3000mA	1KVDC	-25~+71°C	FCC / CE
SKE15A-12	15W	12V (9~18V)	12V	1250mA	1KVDC	-25~+71°C	FCC / CE
SKE15A-15	15W	12V (9~18V)	15V	1000mA	1KVDC	-25~+71°C	FCC / CE
SKE15A-24	15W	12V (9~18V)	24V	625mA	1KVDC	-25~+71°C	FCC / CE
SKE15B-05	15W	24V (18~36V)	5V	3000mA	1KVDC	-25~+71°C	FCC / CE
SKE15B-12	15W	24V (18~36V)	12V	1250mA	1KVDC	-25~+71°C	FCC / CE
SKE15B-15	15W	24V (18~36V)	15V	1000mA	1KVDC	-25~+71°C	FCC / CE
SKE15B-24	15W	24V (18~36V)	24V	625mA	1KVDC	-25~+71°C	FCC / CE
SKE15C-05	15W	48V (36~72V)	5V	3000mA	1KVDC	-25~+71°C	FCC / CE
SKE15C-12	15W	48V (36~72V)	12V	1250mA	1KVDC	-25~+71°C	FCC / CE
SKE15C-15	15W	48V (36~72V)	15V	1000mA	1KVDC	-25~+71°C	FCC / CE
SKE15C-24	15W	48V (36~72V)	24V	625mA	1KVDC	-25~+71°C	FCC / CE

### DKE15

Model No.	Wattage	Vin	Vout	Iout	Isolation voltage	Operating temperature	Safety
DKE15A-05	15W	12V (9~18V)	±5V	±1500mA	1KVDC	-25~+71°C	FCC / CE
DKE15A-12	15W	12V (9~18V)	±12V	±625mA	1KVDC	-25~+71°C	FCC / CE
DKE15A-15	15W	12V (9~18V)	±15V	±500mA	1KVDC	-25~+71°C	FCC / CE
DKE15A-24	15W	12V (9~18V)	±24V	±313mA	1KVDC	-25~+71°C	FCC / CE
DKE15B-05	15W	24V (18~36V)	±5V	±1500mA	1KVDC	-25~+71°C	FCC / CE
DKE15B-12	15W	24V (18~36V)	±12V	±625mA	1KVDC	-25~+71°C	FCC / CE
DKE15B-15	15W	24V (18~36V)	±15V	±500mA	1KVDC	-25~+71°C	FCC / CE
DKE15B-24	15W	24V (18~36V)	±24V	±313mA	1KVDC	-25~+71°C	FCC / CE
DKE15C-05	15W	48V (36~72V)	±5V	±1500mA	1KVDC	-25~+71°C	FCC / CE
DKE15C-12	15W	48V (36~72V)	±12V	±625mA	1KVDC	-25~+71°C	FCC / CE
DKE15C-15	15W	48V (36~72V)	±15V	±500mA	1KVDC	-25~+71°C	FCC / CE
DKE15C-24	15W	48V (36~72V)	±24V	±313mA	1KVDC	-25~+71°C	FCC / CE



▲ SDM30  
2" x 2" x 0.63"



Unit: mm(Inch)

Pin-Out	
1	+Vin
2	-Vin
3	No Pin
4	Control ON/OFF
5	No Pin
6	+Vout
7	-Vout
8	Trim

**2"x2" package**      Regulated 30W   |   2:1 Vin   |   Single Vo

**SDM30**

Model No.	Wattage	Vin	Vout	Iout	Isolation voltage	Operating temperature	Safety
SDM30-12S3	17W	12V (9.2~18V)	3.3V	5000mA	1KVDC	-25~+85°C	CE
SDM30-12S5	25W	12V (9.2~18V)	5V	5000mA	1KVDC	-25~+85°C	CE
SDM30-12S12	25W	12V (9.2~18V)	12V	2100mA	1KVDC	-25~+85°C	CE
SDM30-12S15	26W	12V (9.2~18V)	15V	1700mA	1KVDC	-25~+85°C	CE
SDM30-24S3	17W	24V (18~36V)	3.3V	5000mA	1KVDC	-25~+85°C	CE
SDM30-24S5	25W	24V (18~36V)	5V	5000mA	1KVDC	-25~+85°C	CE
SDM30-24S12	30W	24V (18~36V)	12V	2100mA	1KVDC	-25~+85°C	CE
SDM30-24S15	30W	24V (18~36V)	15V	1700mA	1KVDC	-25~+85°C	CE
SDM30-48S3	17W	48V (36~72V)	3.3V	5000mA	1KVDC	-25~+85°C	CE
SDM30-48S5	25W	48V (36~72V)	5V	5000mA	1KVDC	-25~+85°C	CE
SDM30-48S12	30W	48V (36~72V)	12V	2100mA	1KVDC	-25~+85°C	CE
SDM30-48S15	30W	48V (36~72V)	15V	1700mA	1KVDC	-25~+85°C	CE

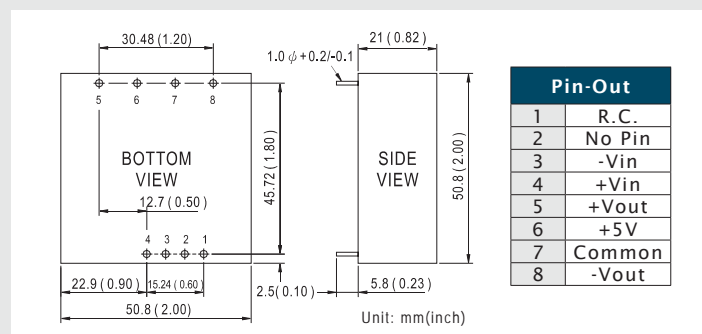
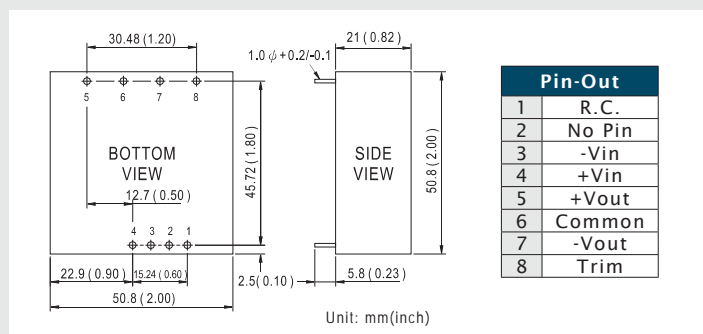
## Module Type 0.5~150W



▲ DKA30  
2" x 2" x 0.82"



▲ TKA30  
2" x 2" x 0.82"



### 2"x2" package

Regulated 30W | 2:1 Vin | Dual/Triple Vo

#### DKA30

Model No.	Wattage	Vin	Vout	Iout	Isolation voltage	Operating temperature	Safety
DKA30A-05	25W	12V (9~18V)	±5V	±2500mA	1KVDC	-40~+85°C	FCC / CE
DKA30A-12	30W	12V (9~18V)	±12V	±1250mA	1KVDC	-40~+85°C	FCC / CE
DKA30A-15	30W	12V (9~18V)	±15V	±1000mA	1KVDC	-40~+85°C	FCC / CE
DKA30B-05	25W	24V (18~36V)	±5V	±2500mA	1KVDC	-40~+85°C	FCC / CE
DKA30B-12	30W	24V (18~36V)	±12V	±1250mA	1KVDC	-40~+85°C	FCC / CE
DKA30B-15	30W	24V (18~36V)	±15V	±1000mA	1KVDC	-40~+85°C	FCC / CE
DKA30C-05	25W	48V (36~72V)	±5V	±2500mA	1KVDC	-40~+85°C	FCC / CE
DKA30C-12	30W	48V (36~72V)	±12V	±1250mA	1KVDC	-40~+85°C	FCC / CE
DKA30C-15	30W	48V (36~72V)	±15V	±1000mA	1KVDC	-40~+85°C	FCC / CE

#### TKA30

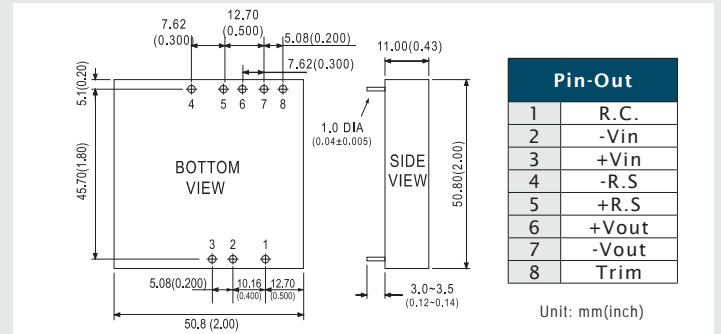
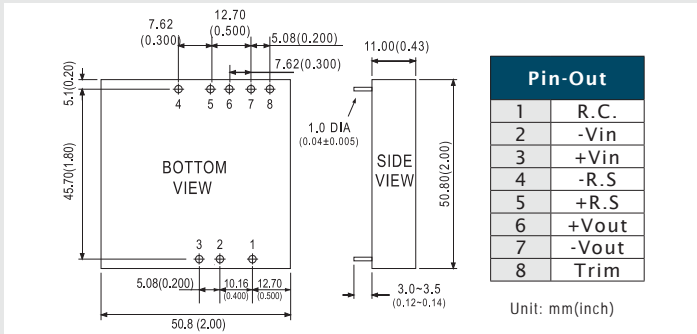
Model No.	Wattage	Vin	Vout	Iout	Isolation voltage	Operating temperature	Safety
TKA30A-B	25W	12V (9~18V)	5V / ±12V	3500mA / ±310mA	1KVDC	-40~+85°C	FCC / CE
TKA30A-C	25W	12V (9~18V)	5V / ±15V	3500mA / ±250mA	1KVDC	-40~+85°C	FCC / CE
TKA30B-B	25W	24V (18~36V)	5V / ±12V	3500mA / ±310mA	1KVDC	-40~+85°C	FCC / CE
TKA30B-C	25W	24V (18~36V)	5V / ±15V	3500mA / ±250mA	1KVDC	-40~+85°C	FCC / CE
TKA30C-B	25W	48V (36~72V)	5V / ±12V	3500mA / ±310mA	1KVDC	-40~+85°C	FCC / CE
TKA30C-C	25W	48V (36~72V)	5V / ±15V	3500mA / ±250mA	1KVDC	-40~+85°C	FCC / CE



▲ SKA40  
2" x 2" x 0.43"



▲ SKA60  
2" x 2" x 0.43"



**2"x2" package** Regulated 40W/60W | 2:1 Vin | Single Vo

**SKA40**

Model No.	Wattage	Vin	Vout	Iout	Isolation voltage	Operating temperature	Safety
SKA40A-05	35W	12V (9~18V)	5V	7000mA	1.5KVDC	-40~+80°C	FCC / CE
SKA40A-12	40W	12V (9~18V)	12V	3330mA	1.5KVDC	-40~+80°C	FCC / CE
SKA40A-15	40W	12V (9~18V)	15V	2670mA	1.5KVDC	-40~+80°C	FCC / CE
SKA40B-05	35W	24V (18~36V)	5V	7000mA	1.5KVDC	-40~+80°C	FCC / CE
SKA40B-12	40W	24V (18~36V)	12V	3330mA	1.5KVDC	-40~+80°C	FCC / CE
SKA40B-15	40W	24V (18~36V)	15V	2670mA	1.5KVDC	-40~+80°C	FCC / CE
SKA40C-05	35W	48V (36~75V)	5V	7000mA	1.5KVDC	-40~+80°C	FCC / CE
SKA40C-12	40W	48V (36~75V)	12V	3330mA	1.5KVDC	-40~+80°C	FCC / CE
SKA40C-15	40W	48V (36~75V)	15V	2670mA	1.5KVDC	-40~+80°C	FCC / CE

**SKA60**

Model No.	Wattage	Vin	Vout	Iout	Isolation voltage	Operating temperature	Safety
SKA60A-05	60W	12V (9~18V)	5V	12A	1.5KVDC	-40~+70°C	FCC / CE
SKA60A-12	60W	12V (9~18V)	12V	5000mA	1.5KVDC	-40~+70°C	FCC / CE
SKA60A-15	60W	12V (9~18V)	15V	4000mA	1.5KVDC	-40~+70°C	FCC / CE
SKA60B-05	60W	24V (18~36V)	5V	12A	1.5KVDC	-40~+70°C	FCC / CE
SKA60B-12	60W	24V (18~36V)	12V	5000mA	1.5KVDC	-40~+70°C	FCC / CE
SKA60B-15	60W	24V (18~36V)	15V	4000mA	1.5KVDC	-40~+70°C	FCC / CE
SKA60C-05	60W	48V (36~75V)	5V	12A	1.5KVDC	-40~+70°C	FCC / CE
SKA60C-12	60W	48V (36~75V)	12V	5000mA	1.5KVDC	-40~+70°C	FCC / CE
SKA60C-15	60W	48V (36~75V)	15V	4000mA	1.5KVDC	-40~+70°C	FCC / CE

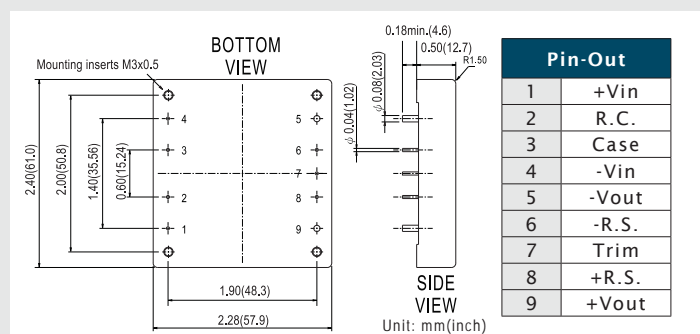
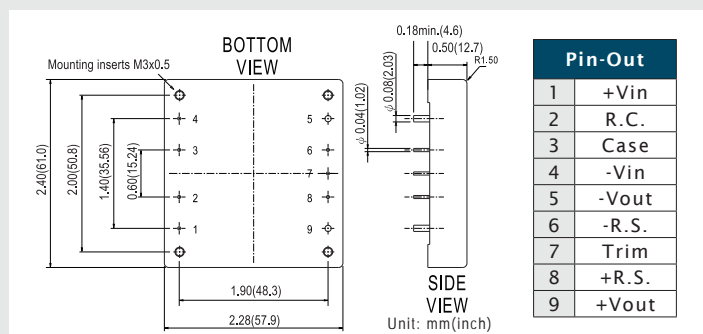
## Module Type 0.5~150W



▲ MHB75  
2.28" x 2.40" x 0.50"



▲ MHB100  
2.28" x 2.40" x 0.50"



### Half-brick

Regulated 75W/100W | 2:1 Vin | Single Vo

#### MHB75

Model No.	Wattage	Vin	Vout	Iout	Isolation voltage	Operating temperature	Safety
MHB75-12S05	75W	12V (9~18V)	5V	15A	1.5KVDC	-40~+100°C	UL / CE
MHB75-12S12	75W	12V (9~18V)	12V	6.25A	1.5KVDC	-40~+100°C	UL / CE
MHB75-12S24	75W	12V (9~18V)	24V	3.13A	1.5KVDC	-40~+100°C	UL / CE
MHB75-24S05	75W	24V (18~36V)	5V	15A	1.5KVDC	-40~+100°C	UL / CE
MHB75-24S12	75W	24V (18~36V)	12V	6.25A	1.5KVDC	-40~+100°C	UL / CE
MHB75-24S24	75W	24V (18~36V)	24V	3.13A	1.5KVDC	-40~+100°C	UL / CE
MHB75-48S05	75W	48V (36~75V)	5V	15A	1.5KVDC	-40~+100°C	UL / CE
MHB75-48S12	75W	48V (36~75V)	12V	6.25A	1.5KVDC	-40~+100°C	UL / CE
MHB75-48S24	75W	48V (36~75V)	24V	3.13A	1.5KVDC	-40~+100°C	UL / CE

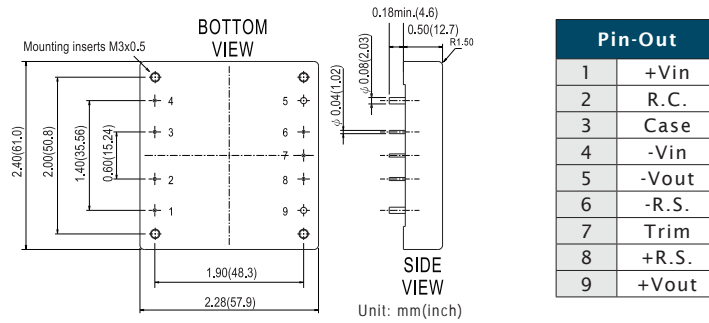
#### MHB100

Model No.	Wattage	Vin	Vout	Iout	Isolation voltage	Operating temperature	Safety
MHB100-24S05	100W	24V (18~36V)	5V	20A	1.5KVDC	-40~+100°C	UL / CE
MHB100-24S12	100W	24V (18~36V)	12V	8.3A	1.5KVDC	-40~+100°C	UL / CE
MHB100-24S24	100W	24V (18~36V)	24V	4.17A	1.5KVDC	-40~+100°C	UL / CE
MHB100-48S05	100W	48V (36~75V)	5V	20A	1.5KVDC	-40~+100°C	UL / CE
MHB100-48S12	100W	48V (36~75V)	12V	8.3A	1.5KVDC	-40~+100°C	UL / CE
MHB100-48S24	100W	48V (36~75V)	24V	4.17A	1.5KVDC	-40~+100°C	UL / CE



▲ MHB150

2.28" x 2.40" x 0.50"



**Half-brick** Regulated 150W | 2:1 Vin | Single Vo

**MHB150**

Model No.	Wattage	Vin	Vout	Iout	Isolation voltage	Operating temp.	Safety
MHB150-48S05	150W	48V (36~75V)	5V	30A	1.5KVDC	-40~+100°C	UL / CE
MHB150-48S12	150W	48V (36~75V)	12V	12.5A	1.5KVDC	-40~+100°C	UL / CE
MHB150-48S24	150W	48V (36~75V)	24V	6.25A	1.5KVDC	-40~+100°C	UL / CE

**Heat Sink for MHB Series**

Order No.	M-C308 (Vertical Fins)	M-C091 (Horizontal Fins)	M-C092 (Horizontal Fins)
Mechanical			

Note: Power module and heat sink should be ordered separately. The heat sinks can be used with MHB75/100/150 series.

# LED Driver



## Features

- Complete drive current for choice:  
300mA / 350mA / 500mA / 600mA / 700mA  
1000mA / 1200mA / 1400mA / 1500mA
- Constant current step-up mode (LDH) ;  
Constant current step-down mode (LDD-H/L) ;  
Constant current buck-boost mode (LDB-L)
- Multiple type: SMD, Pin, Wire style
- Wide input and output voltage range
- High efficiency up to 97%
- Comply with EN55015 and FCC part 15  
without additional input filter and capacitors
- PWM dimming and remote ON/OFF control
- DALI dimming function for LDH-DA/WDA &  
LDD-DA/WDA
- 3 years warranty







▲ LDD-300~700L/W/LS  
L/LW: 22.6x 9.9x 8.9 mm  
LS: 25.4x 10.5x 9.3 mm



▲ LDD-1000~1500L/W/LS  
L/LW: 31.8x 20.3x 12.2 mm  
LS: 31.8x 20.3x 10.9 mm



▲ LDD-300~1000H/HW/HS &  
LDD-1200~1500H/HW  
H/HW: 31.8x 20.3x 12.2 mm  
HS: 31.8x 20.3x 10.9 mm



▲ LDB-300~600L/W  
31.8x 20.3x 12.2 mm

## LDD-L

Model No.	Vin	Output		Io Tol.	Operating temperature	Dimming	Safety
		Voltage	Current				
LDD-300L □	9~36V (9~32V for S style)	2~32V (2~28V for S style)	300mA	±5%	-40~+85°C	PWM	FCC CE (EN55015)
LDD-350L □			350mA				
LDD-500L □			500mA				
LDD-600L □			600mA				
LDD-700L □			700mA				
LDD-1000L □	6~36V	2~30V	1000mA	±5%	-40~+71°C	PWM+Analog	FCC CE (EN55015)
LDD-1200L □			1200mA				
LDD-1500L □			1500mA				

□ = Blank, W, S ; Blank: pin style, W: Wire style, S: SMD style

## LDD-H

Model No.	Vin	Output		Io Tol.	Operating temperature	Safety
		Voltage	Current			
LDD-300H □	9~56V	2~52V	300mA	±4%	-40~+85°C	FCC CE (EN55015)
LDD-350H □	9~56V	2~52V	350mA	±4%	-40~+85°C	
LDD-500H □	9~56V	2~52V	500mA	±4%	-40~+85°C	
LDD-600H □	9~56V	2~52V	600mA	±4%	-40~+71°C	
LDD-700H □	9~56V	2~52V	700mA	±4%	-40~+71°C	
LDD-1000H □	9~56V	2~52V	1000mA	±4%	-40~+71°C	
LDD-1200H △	9~52V	2~46V	1200mA	±5%	-40~+71°C	
LDD-1500H △	9~52V	2~46V	1500mA	±5%	-40~+65°C	

□ = Blank, W, S ; Blank: pin style, W: wire style, S: SMD style ; △ = Blank, W ; Blank: pin style, W: wire style

## LDB-L

Model No.	Vin	Output		Io Tol.	Operating temperature	Safety
		Voltage	Current			
LDB-300L △	9~36V	2~40V	300mA	±5%	-40~+71°C	FCC CE (EN55015)
LDB-350L △	9~36V	2~40V	350mA	±5%	-40~+71°C	
LDB-500L △	9~30V	2~32V	500mA	±5%	-40~+71°C	
LDB-600L △	9~28V	2~30V	600mA	±5%	-40~+71°C	

△ = Blank, W ; Blank: pin style, W: wire style

## LED Driver



▲ LDD-350~1400H-DA  
40.6x 23.5x 10.1 mm



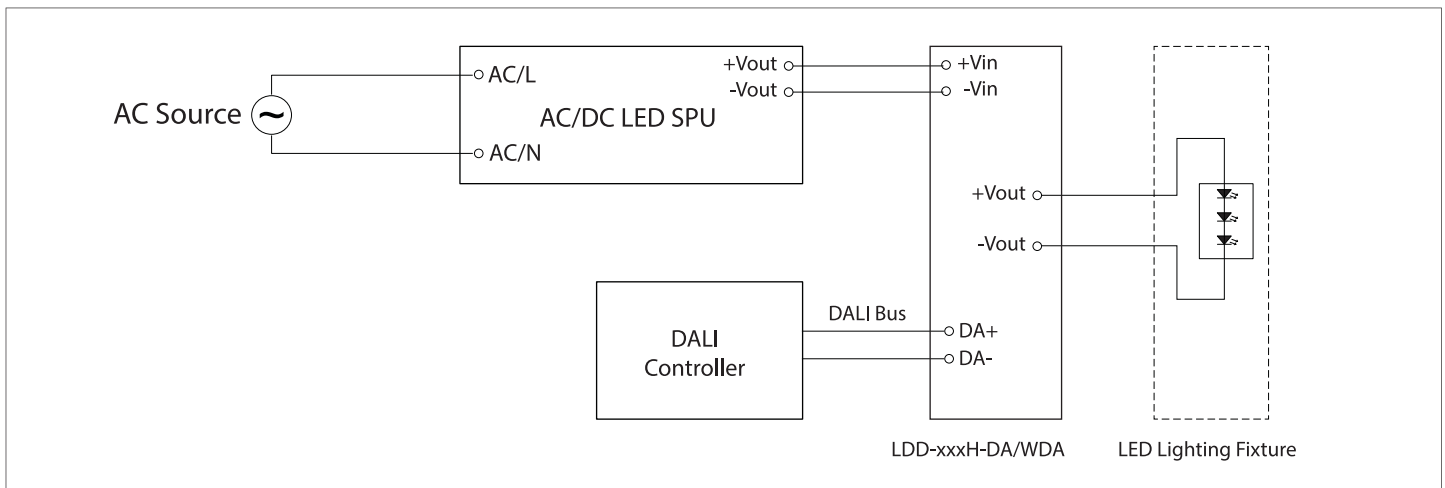
▲ LDD-350~1400H-WDA  
40.6x 23.5x 10.1 mm

## LDD-DA

Model No.	Vin	Output		Io Tol.	Operating temperature	Dimming	Safety
		Voltage	Current				
LDD-350H-□DA	6~50V	3~45V	350mA	±5%	-40~+85°C	PWM&Analog	DALI CE (EN55015)
LDD-700H-□DA	6~50V	3~45V	700mA	±5%	-40~+85°C	PWM&Analog	DALI CE (EN55015)
LDD-1050H-□DA	6~50V	3~45V	1050mA	±5%	-40~+85°C	PWM&Analog	DALI CE (EN55015)
LDD-1400H-□DA	6~40V	3~36V	1400mA	±5%	-40~+85°C	PWM&Analog	DALI CE (EN55015)

□ = Blank, W ; Blank: pin style, W: wire style

## DALI Dimming Diagram





▲ LDH-45  
75x 53x 22.7 mm





▲ LDH-45W  
75x 53x 22.7 mm

## LDH-45A/B

Model No.	Vin	Output		Io Tol.	Operating temperature	Dimming	Safety
		Voltage	Current				
LDH-45A-350 ○	9~18V	12~86V	350mA	±5%	-40~+70°C	PWM+Analog	CE (EN55015)
LDH-45A-500 ○	9~18V	12~86V	500mA	±5%	-40~+70°C		
LDH-45A-700 ○	9~18V	12~64V	700mA	±5%	-40~+70°C		
LDH-45A-1050 ○	9~18V	12~43V	1050mA	±5%	-40~+70°C		
LDH-45B-350 ○	18~32V	21~126V	350mA	±5%	-40~+70°C	PWM+Analog	CE (EN55015)
LDH-45B-500 ○	18~32V	21~86V	500mA	±5%	-40~+70°C		
LDH-45B-700 ○	18~32V	21~64V	700mA	±5%	-40~+70°C		
LDH-45B-1050 ○	18~32V	21~43V	1050mA	±5%	-40~+70°C		

○ =Blank, W ; Blank: pin style, PWM+analog dimming; W: Wire style, PWM+analog dimming

## LDH-45A/B-DA

Model No.	Vin	Output		Io Tol.	Operating temperature	Dimming	Safety
		Voltage	Current				
LDH-45A-350 ○ DA	9~18V	24~86V	350mA	±5%	-40~+70°C	DALI	 CE (EN55015)
LDH-45A-500 ○ DA	9~18V	24~86V	500mA	±5%	-40~+70°C		
LDH-45A-700 ○ DA	9~18V	24~64V	700mA	±5%	-40~+70°C		
LDH-45A-1050 ○ DA	9~18V	24~43V	1050mA	±5%	-40~+70°C		
LDH-45B-350 ○ DA	18~32V	36~126V	350mA	±5%	-40~+70°C	DALI	 CE (EN55015)
LDH-45B-500 ○ DA	18~32V	36~86V	500mA	±5%	-40~+70°C		
LDH-45B-700 ○ DA	18~32V	36~64V	700mA	±5%	-40~+70°C		
LDH-45B-1050 ○ DA	18~32V	36~43V	1050mA	±5%	-40~+70°C		

○ =Blank or W ; Blank: pin style, DALI dimming; W: Wire style, DALI dimming

# Selection Guide

Type	Model		Watt	Vin	Vout	Isolation voltage	Operating temperature	Dimension (LxWxH)(mm)	Certificated
	Picture	Series							
Enclosed		RSD-30	30W	24V(9~36V) 48V(18~72V) 96V, 110V(40~160V)	3.3V 5V 12V 24V	4KVDC	-40~+70°C	113x 60x 25	CE 
		RSD-60	60W	24V(9~36V) 48V(18~72V) 96V, 110V(40~160V)	3.3V 5V 12V 24V	4KVDC	-40~+70°C	126x 60x 25	CE 
		RSD-100	100W	24V(16.8~31.2V) 48V(33.6~62.4V) 96V, 110V(67.2~143V)	5V 12V 24V	4KVDC	-40~+70°C	161x 68x 36	CE 
		RSD-150	150W	24V(16.8~31.2V) 48V(33.6~62.4V) 96V, 110V(67.2~143V)	5V 12V 24V	4KVDC	-40~+70°C	189x 77x 36	CE 
		RSD-200	200W	24V(16.8~31.2V) 48V(33.6~62.4V) 110V(67.2~143V)	12V 24V 48V	4KVDC	-40~+70°C	191x 86x 40	CE 
		RSD-300	300W	24V(16.8~31.2V) 36V(25.2~46.8V) 48V(33.6~62.4V) 72V(50.4~93.6V) 96V, 110V(67.2~143V)	5V 12V 24V 48V	4KVDC	-40~+70°C	216x 97x 40	CE 
		SD-15	15W	12V(9.2~18V) 24V(18~36V) 48V(36~72V)	5V 12V 24V	1.5KVAC	-10~+60°C	78x 51x 28	CE
		SD-25	25W	12V(9.2~18V) 24V(18~36V) 48V(36~72V)	5V 12V 24V	1.5KVAC	-10~+60°C	99x 97x 36	CE
		SD-50	50W	12V(9.2~18V) 24V(18~36V) 48V(36~72V)	5V 12V 24V	1.5KVAC	-10~+60°C	159x 97x 38	CE
		SD-100	100W	24V(19~36V) 48V(36~72V) 96V, 110V(72~144V)	5V 12V 24V	1.5KVAC	-10~+60°C	199x 98x 38	CE CB(D type)
		SD-150	150W	24V(19~36V) 48V(36~72V) 96V, 110V(72~144V)	12V 24V	1.5KVAC	-10~+60°C	199x 110x 50	CE CB(D type)
		SD-200	200W	24V(19~36V) 48V(36~72V) 96V, 110V(72~144V)	5V 12V 24V 48V	1.5KVAC	-20~+60°C	215x 115x 50	CE CB(D type) UL (SD-200C-24)
		SD-350	350W	24V(19~36V) 48V(36~72V) 96V, 110V(72~144V)	5V 12V 24V 48V	1.5KVAC	-20~+60°C	215x 115x 50	CE CB(D type)
		SD-500	500W	48V(19~72V) 96V, 110V(72~144V)	12V 24V 48V	2KVAC	-20~+60°C	215x 115x 50	CE / CB
	SD-1000	1000W	48V(19~72V) 96V, 110V(72~144V)	12V 24V 48V	2KVAC	-20~+60°C	295x 127x 41	CE / CB	

# Selection Guide

Type	Model		Watt	Vin	Vout	Isolation voltage	Operating temperature	Dimension (LxWxH)(mm)	Certified
	Picture	Series							
PCB		PSD-05	5W	48V(36~72V)	5V 12V 24V	1.5KVAC	-10~+60°C	75x 40x 20	CE
		PSD-15	15W	12V(9.2~18V) 24V(18~36V) 48V(36~72V)	5V 12V 24V	1.5KVAC	-10~+60°C	94x 49x 25	CE
		PSD-30	30W	12V(9~18V) 24V(18~36V) 48V(36~72V)	5V 12V 24V	1.5KVAC	-20~+60°C	101.6x 50.8x 30	CE
		PSD-45	45W	12V(9.2~18V) 24V(18~36V) 48V(36~72V)	5V 12V 24V	1.5KVAC	-10~+60°C	127x 76x 30	CB / CE
On Board		NID-30	30W	24V(20~53V) 48V(30~53V)	5V 12V 15V 24V	NA (Non-Isolated)	-25~+65°C	2"x 0.512"x 0.421"	NA
		NID-60	60W	24V(20~53V) 48V(30~53V)	5V 12V 15V 24V	NA (Non-Isolated)	-25~+65°C	2"x 1.024"x 0.421"	NA
		NSD05-S	5W	12V(9.2~36V) 48V(18~72V)	3.3V 5V 12V 15V	1KVDC	-25~+70°C	1.6"x 1"x 0.327"	CB / CE
		NSD10-S	10W	12V(9.8~36V) 48V(22~72V)	3.3V 5V 9V 12V 15V	1KVDC	-25~+70°C	2"x 1"x 0.394"	UL / CE
		NSD10-D	10W	12V(9.8~36V) 48V(22~72V)	±5V ±12V ±15V	1KVDC	-25~+70°C	2"x 1"x 0.394"	UL / CE
		NSD15-S	15W	12V(9.4~36V) 48V(18~72V)	3.3V 5V 12V 15V	1.5KVDC	-25~+70°C	2"x 1.5"x 0.387"	UL / CE
		NSD15-D	15W	12V(9.4~36V) 48V(18~72V)	±5V ±12V ±15V	1.5KVDC	-25~+70°C	2"x 1.5"x 0.387"	UL / CE














# Selection Guide

Type	Model		Watt	Package	Vin	Vout	Isolation voltage	Operating temperature	Dimension (LxWxH)	Certified
	Picture	Series								
Module		SBT01	1W	SMD	5V(4.5~5.5V) 12V(10.8~13.2V)	5V 9V 12V 15V	1KVDC	-40~+85°C	0.55" x 0.3" x 0.24"	UL
		SBTN01	1W	SMD	5V(4.5~5.5V) 12V(10.8~13.2V) 24V(21.6~26.4V)	5V 12V 15V	1.5KVDC	-40~+90°C (-40~+105°C optional)	0.5" x 0.43" x 0.28"	CE
		SFT01	1W	SMD	5V(4.5~5.5V) 12V(10.8~13.2V)	5V 9V 12V 15V	1KVDC	-40~+85°C	0.6" x 0.295" x 0.255"	UL
		SFTN01	1W	SMD	5V(4.5~5.5V) 12V(10.8~13.2V) 24V(21.6~26.4V)	5V 12V 15V	3KVDC	-40~+90°C (-40~+100°C optional)	0.6" x 0.42" x 0.28"	CE
		DET01	1W	SMD	5V(4.5~5.5V) 12V(10.8~13.2V)	±5V ±9V ±12V ±15V	3KVDC	-40~+85°C	0.6" x 0.295" x 0.255"	UL
		DETN01	1W	SMD	5V(4.5~5.5V) 12V(10.8~13.2V) 24V(21.6~26.4V)	±5V ±12V ±15V	3KVDC	-40~+90°C (-40~+100°C optional)	0.6" x 0.42" x 0.28"	CE
		MDS01	1W	SIP	5V(4.5~5.5V) 12V(10.8~13.2V) 24V(21.6~26.4V)	3.3V 5V 12V 15V	6KVDC	-40~+85°C	0.77" x 0.39" x 0.49"	UL/CE 
		MDD01	1W	SIP	5V(4.5~5.5V) 12V(10.8~13.2V) 24V(21.6~26.4V)	±5V ±9V ±12V ±15V	6KVDC	-40~+85°C	0.77" x 0.39" x 0.49"	UL/CE 
		MDS02	2W	SIP	5V(4.5~5.5V) 12V(10.8~13.2V) 24V(21.6~26.4V)	5V 12V 15V	6KVDC	-40~+85°C	0.77" x 0.39" x 0.49"	UL/CE 
		MDD02	2W	SIP	5V(4.5~5.5V) 12V(10.8~13.2V) 24V(21.6~26.4V)	±5V ±9V ±12V ±15V	6KVDC	-40~+85°C	0.77" x 0.39" x 0.49"	UL/CE 
		SMU01	1W	SIP	5V(4.5~5.5V) 12V(10.8~13.2V) 24V(21.6~26.4V)	5V 9V 12V 15V	1.5KVDC	-40~+90°C	0.46" x 0.24" x 0.4"	FCC/CE
		SMU02	2W	SIP	5V(4.5~5.5V) 12V(10.8~13.2V) 24V(21.6~26.4V)	5V 12V 15V	1.5KVDC	-40~+85°C	0.46" x 0.3" x 0.4"	FCC/CE
		SPU01	1W	SIP	5V(4.5~5.5V) 12V(10.8~13.2V) 24V(21.6~26.4V)	5V 12V 15V	1.5KVDC	-40~+90°C	5/12Vin: 0.77" x 0.24" x 0.40" 24Vin: 0.77" x 0.28" x 0.40"	CE
		DPU01	1W	SIP	5V(4.5~5.5V) 12V(10.8~13.2V) 24V(21.6~26.4V)	±5V ±12V ±15V	1.5KVDC	-40~+90°C	5/12Vin: 0.77" x 0.24" x 0.40" 24Vin: 0.77" x 0.28" x 0.40"	CE

# Selection Guide

















Type	Model		Watt	Package	Vin	Vout	Isolation voltage	Operating temperature	Dimension (LxWxH)	Certified
	Picture	Series								
Module		SPU02	2W	SIP	5V(4.5~5.5V) 12V(10.8~13.2V) 24V(21.6~26.4V)	5V 12V 15V	3KVDC	-40~+71 °C	0.77"x 0.28"x 0.4"	CE/FCC
		SPU03	3W	SIP	5V(4.5~5.5V) 12V(10.8~13.2V) 24V(21.6~26.4V)	5V 12V 15V	3KVDC	-40~+90 °C	0.77"x 0.3"x 0.4"	CE/FCC
		SPR01	1W	SIP	5V(4.5~5.5V) 12V(10.8~13.2V) 24V(21.6~26.4V) 48V(43.2~52.8V)	5V 9V 12V 15V	1KVDC	-25~+71 °C	0.77"x 0.28"x 0.4"	FCC/CE
		SPA01	1W	SIP	12V(9~18V) 24V(18~36V) 48V(36~72V)	5V 12V 15V	1.5KVDC	-40~+90 °C	0.69"x 0.3"x 0.44"	FCC/CE
		SPA02	2W	SIP	5V(4.5~9V) 12V(9~18V) 24V(18~36V) 48V(36~72V)	5V 12V 15V	1KVDC	-40~+85 °C	0.86"x 0.36"x 0.44"	FCC/CE
		SPAN02	2W	SIP	5V(4.5~9V) 12V(9~18V) 24V(18~36V) 48V(36~75V)	3.3V 5V 12V 15V	1.5KVDC	-40~+90 °C	0.86"x 0.36"x 0.44"	CE
		DPAN02	2W	SIP	5V(4.5~9V) 12V(9~18V) 24V(18~36V) 48V(36~75V)	±5V ±12V ±15V	1.5KVDC	-40~+90 °C	0.86"x 0.36"x 0.44"	CE
		SPB03	3W	SIP	5V(4.5~9V) 12V(9~18V) 24V(18~36V) 48V(36~72V)	5V 12V 15V	1KVDC	-40~+85 °C	0.86"x 0.36"x 0.44"	FCC/CE
		SPBW03	3W	SIP	24V(9~36V) 48V(18~75V)	3.3V 5V 12V 15V	1.5KVDC	-40~+85 °C	0.86"x 0.36"x 0.44"	CE
		DPBW03	3W	SIP	24V(9~36V) 48V(18~75V)	±5V ±12V ±15V	1.5KVDC	-40~+85 °C	0.86"x 0.36"x 0.44"	CE
		SPB05	5W	SIP	12V(9~18V) 24V(18~36V) 48V(36~72V)	5V 12V 15V	1.5KVDC	-40~+80 °C	0.86"x 0.36"x 0.44"	FCC/CE
		SPBW06	6W	SIP	24V(9~36V) 48V(18~75V)	3.3V 5V 12V 15V	1.5KVDC	-40~+85 °C	0.86"x 0.36"x 0.44"	CE
		DPBW06	6W	SIP	24V(9~36V) 48V(18~75V)	±5V ±12V ±15V	1.5KVDC	-40~+85 °C	0.86"x 0.36"x 0.44"	CE
		SRS	0.5W	DIP16	5V(4.5~5.5V) 12V(10.8~13.2V) 24V(21.6~26.4V) 48V(43.2~52.8V)	5V 9V 12V 15V	1KVDC	-25~+71 °C	0.89"x 0.39"x 0.33"	FCC/CE
		SUS01	1W	DIP16	5V(4.5~5.5V) 12V(10.8~13.2V) 24V(21.6~26.4V) 48V(43.2~52.8V)	5V 9V 12V 15V	1KVDC	-25~+71 °C	0.89"x 0.39"x 0.33"	FCC/CE

# Selection Guide

Type	Model		Watt	Package	Vin	Vout	Isolation voltage	Operating temperature	Dimension (LxWxH)	Certified
	Picture	Series								
Module		SMA01	1W	DIP7	5V(4.5~5.5V) 12V(10.8~13.2V) 24V(21.6~26.4V)	5V 9V 12V 15V	1.5KVDC	-40~+90°C	0.50"x 0.40"x 0.28"	FCC/CE
		SLC03	3W	DIP16	12V(9~18V) 24V(18~36V) 48V(36~75V)	5V 12V 15V	1.5KVDC	-40~+85°C	0.87"x 0.54"x 0.33"	CE
		DLC03	3W	DIP16	12V(9~18V) 24V(18~36V) 48V(36~75V)	±5V ±12V ±15V	1.5KVDC	-40~+85°C	0.87"x 0.54"x 0.33"	CE
		SCW03	3W	DIP24	12V(9~18V) 24V(18~36V) 48V(36~72V)	5V 12V 15V	1KVDC	-40~+71°C	1.25"x 0.8"x 0.48"	FCC/CE
		DCW03	3W	DIP24	12V(9~18V) 24V(18~36V) 48V(36~72V)	±5V ±12V ±15V	1KVDC	-40~+71°C	1.25"x 0.8"x 0.48"	FCC/CE
		SCWN03	3W	DIP24	5V(4.5~9V) 12V(9~18V) 24V(18~36V) 48V(36~72V)	3.3V 5V 12V 15V	3KVDC	-40~+90°C	1.25"x 0.80"x 0.40"	CE
		DCWN03	3W	DIP24	5V(4.5~9V) 12V(9~18V) 24V(18~36V) 48V(36~72V)	±5V ±12V ±15V	3KVDC	-40~+90°C	1.25"x 0.80"x 0.40"	CE
		SCW05	5W	DIP24	12V(9~18V) 24V(18~36V) 48V(36~72V)	5V 9V 12V 15V	1KVDC	-40~+71°C	1.25"x 0.80"x 0.48"	FCC/CE
		DCW05	5W	DIP24	12V(9~18V) 24V(18~36V) 48V(36~72V)	±5V ±12V ±15V	1KVDC	-40~+71°C	1.25"x 0.80"x 0.48"	FCC/CE
		SCW08	8W	DIP24	12V(9~18V) 24V(18~36V) 48V(36~72V)	5V 12V 15V	1KVDC	-40~+71°C	1.25"x 0.8"x 0.48"	FCC/CE
		DCW08	8W	DIP24	12V(9~18V) 24V(18~36V) 48V(36~72V)	±5V ±12V ±15V	1KVDC	-40~+71°C	1.25"x 0.8"x 0.48"	FCC/CE
		SCW12	12W	DIP24	12V(9~18V) 24V(18~36V) 48V(36~72V)	5V 12V 15V	1.5KVDC	-40~+71°C	1.25"x 0.80"x 0.48"	FCC/CE
		DCW12	12W	DIP24	12V(9~18V) 24V(18~36V) 48V(36~72V)	±5V ±12V ±15V	1.5KVDC	-40~+71°C	1.25"x 0.80"x 0.48"	FCC/CE



# Selection Guide

Type	Model		Watt	Package	Vin	Vout	Isolation voltage	Operating temperature	Dimension (LxWxH)	Certified
	Picture	Series								
Module		SKM10	10W	1"x1"	5V(4.7~9V) 12V(9~18V) 24V(18~36V) 48V(36~75V)	3.3V 5V 12V 15V	1.5KVDC	-40~+85°C	1"x 1"x 0.40"	CE
		DKM10	10W	1"x1"	5V(4.7~9V) 12V(9~18V) 24V(18~36V) 48V(36~75V)	±5V ±12V ±15V	1.5KVDC	-40~+85°C	1"x 1"x 0.40"	CE
		SKM15	15W	1"x1"	12V(9~18V) 24V(18~36V) 48V(36~75V)	5V 12V 15V	1.5KVDC	-40~+80°C	1"x 1"x 0.39"	FCC/CE
		SKMW20	20W	1"x1"	24V(9~36V) 48V(18~75V)	3.3V 5V 12V 15V	1.5KVDC	-40~+85°C	1"x 1"x 0.40"	CE
		DKMW20	20W	1"x1"	24V(9~36V) 48V(18~75V)	±12V ±15V	1.5KVDC	-40~+85°C	1"x 1"x 0.40"	CE
		SKMW30	30W	1"x1"	24V(9~36V) 48V(18~75V)	3.3V 5V 12V 15V	1.5KVDC	-40~+85°C	1"x 1"x 0.40"	CE
		DKMW30	30W	1"x1"	24V(9~36V) 48V(18~75V)	±12V ±15V	1.5KVDC	-40~+85°C	1"x 1"x 0.40"	CE
		SLW05	5W	2"x1"	12V(9~18V) 24V(18~36V) 48V(36~72V)	5V 9V 12V 15V	1KVDC	-25~+71°C	2"x 1"x 0.44"	FCC/CE
		DLW05	5W	2"x1"	12V(9~18V) 24V(18~36V) 48V(36~72V)	±5V ±12V ±15V	1KVDC	-25~+71°C	2"x 1"x 0.44"	FCC/CE
		SKE10	10W	2"x1"	12V(9~18V) 24V(18~36V) 48V(36~72V)	5V 12V 15V 24V	1KVDC	-25~+71°C	2"x 1"x 0.44"	FCC/CE
		DKE10	10W	2"x1"	12V(9~18V) 24V(18~36V) 48V(36~72V)	±5V ±12V ±15V ±24V	1KVDC	-25~+71°C	2"x 1"x 0.44"	FCC/CE
		SKA15	15W	2"x1"	12V(9~18V) 24V(18~36V) 48V(36~72V)	3.3V 5V 12V 15V	1KVDC	-40~+71°C	2"x 1"x 0.44"	FCC/CE
		DKA15	15W	2"x1"	12V(9~18V) 24V(18~36V) 48V(36~75V)	±5V ±12V ±15V	1KVDC	-40~+71°C	2"x 1"x 0.44"	FCC/CE
		SKA20	20W	2"x1"	12V(9~18V) 24V(18~36V) 48V(36~75V)	5V 12V 15V	1.5KVDC	-40~+85°C	2"x 1"x 0.44"	FCC/CE
		SKM30	30W	2"x1"	12V(9~18V) 24V(18~36V) 48V(36~75V)	5V 12V 15V	1.5KVDC	-40~+75°C	2"x 1"x 0.44"	FCC/CE
		SKM50	50W	2"x1"	24V(18~36V) 48V(36~72V)	5V 12V 15V	1.5KVDC	-40~+75°C	2"x 1"x 0.54"	FCC/CE

# Selection Guide

Type	Model		Watt	Package	Vin	Vout	Isolation voltage	Operating temperature	Dimension (LxWxH)	Certified
	Picture	Series								
Module		SKE15	15W	2"x2"	12V(9~18V) 24V(18~36V) 48V(36~72V)	5V 12V 15V 24V	1KVDC	-25~+71°C	2"x 2"x 0.43"	FCC/CE
		DKE15	15W	2"x2"	12V(9~18V) 24V(18~36V) 48V(36~72V)	5V 12V 15V 24V	1KVDC	-25~+71°C	2"x 2"x 0.43"	FCC/CE
		SDM30	30W	2"x2"	12V(9.2~18V) 24V(18~36V) 48V(36~72V)	3.3V 5V 12V 15V	1KVDC	-25~+85°C	2"x 2"x 0.63"	CE
		DKA30	30W	2"x2"	12V(9~18V) 24V(18~36V) 48V(36~72V)	5V 12V 15V	1KVDC	-40~+85°C	2"x 2"x 0.82"	FCC/CE
		TKA30	25W	2"x2"	12V(9~18V) 24V(18~36V) 48V(36~72V)	5V/±12V 5V/±15V	1KVDC	-40~+85°C	2"x 2"x 0.82"	FCC/CE
		SKA40	40W	2"x2"	12V(9~18V) 24V(18~36V) 48V(36~75V)	5V 12V 15V	1.5KVDC	-40~+80°C	2"x 2"x 0.43"	FCC/CE
		SKA60	60W	2"x2"	12V(9~18V) 24V(18~36V) 48V(36~75V)	5V 12V 15V	1.5KVDC	-40~+70°C	2"x 2"x 0.43"	FCC/CE
		MHB75	75W	Half-brick	12V(9~18V) 24V(18~36V) 48V(36~75V)	5V 12V 24V	1.5KVDC	-40~+100°C	2.28"x 2.40"x 0.50"	UL/CE
		MHB100	100W	Half-brick	24V(18~36V) 48V(36~75V)	5V 12V 24V	1.5KVDC	-40~+100°C	2.28"x 2.40"x 0.50"	UL/CE
		MHB150	150W	Half-brick	48V(36~75V)	5V 12V 24V	1.5KVDC	-40~+100°C	2.28"x 2.40"x 0.50"	UL/CE

# Selection Guide

Type	Model		Vin	Outpt		Operating temperature	Dimension (LxWxH)(mm)	Certifi-cated
	Picture	Series		Voltage	Current			
LED Driver		LDD-300~700L/LW/LS	9~36V (9~32V for S style)	2~32V (2~28V for S style)	300/350/500/ 600/700mA	-40~+85°C	L/LW:22.6x 9.9x 8.9 LS: 25.4x 10.5x 9.3	FCC
		LDD-1000~1500L/LW/LS	6~36V	2~30V	1000/1200/ 1500mA	-40~+71°C	L/LW:31.8x 20.3x 12.2 LS: 31.8x 20.3x 10.9	CE (EN55015)
		LDD-300~1000H/HW/HS	9~56V	2~52V	300/350/500 600/700/ 1000mA	-40~+85°C	H/HW: 31.8x 20.3x 12.2 HS: 31.8x 20.3x 10.9	FCC
		LDD-1200~1500H/HW	9~52V	2~46V	1200/1500mA			CE (EN55015)
		LDB-300~600L/LW	9~36V	2~40V (By Models)	300/350/ 500/600mA	-40~+71°C	31.8x 20.3x 12.2	FCC CE (EN55015)
		LDD-350~1400H-DA/WDA	6~50V	3~45V (By Models)	350/700/ 1050/1400mA	-40~+85°C	40.6x 23.5x 10.1	 CE (EN55015)
		LDH-45/45-350~1050W	9~18V 18~32V	12~86V 21~126V (By Models)	350/500 700/1050mA	-40~+70°C	75x 53x 22.7	CE (EN55015)
		LDH-45DA/45-350~1050WDA	9~18V 18~32V	24~86V 36~126V (By Models)	350/500 700/1050mA	-40~+70°C	75x 53x 22.7	 CE (EN55015)

## Taiwan

### MEAN WELL ENTERPRISES CO., LTD. (Headquarters)

No. 28, Wuquan 3rd Road, Wugu District,  
New Taipei City, Taiwan, 24891

**Tel** +886-2-2299-6100(rep.)

**Fax** +886-2-2299-6200(rep.)

+886-2-2298-0818(sales)

**e-mail** info@meanwell.com

**Web** www.meanwell.com

## U.S.A.

### MEAN WELL USA, INC.

44030 Fremont Blvd., Fremont, CA 94538, U.S.A.

**Tel** +1-510-683-8886

**Fax** +1-510-683-8899

**e-mail** info@meanwellusa.com **Web** www.meanwellusa.com

## Europe

### MEAN WELL EUROPE B.V.

Langs de Werf 8, 1185XT Amstelveen, the Netherlands

**Tel** +31-20-758-6000

**Fax** +31-20-758-6001

**e-mail** info@meanwell.eu **Web** www.meanwell.eu



**info@meanwell.com**  
**www.meanwell.com**



## China

### MEAN WELL GUANGZHOU INDUSTRIAL PARK

No.11, Jingu South Road, Huadong Town,  
Huadu District, Guangzhou, Guangdong, China

**Tel** +86-20-3773-7100 / 400-800-3608

**e-mail** info@meanwell.com.cn **Web** www.meanwell.com.cn

### MEAN WELL (GUANGZHOU) ELECTRONICS CO., LTD.

Jin Gu South Road, Huadong Town, Huadu District,  
Guangzhou, Guangdong Province, China

**Tel** 400-800-3608(sales) +86-10-5200-1817(Beijing Office)

+86-755-2359-1630(Shengzhen Office)

**Fax** +86-20-8201-0507 +86-20-8201-0507(Shengzhen Office)

**e-mail** info@meanwell.com.cn **Web** www.meanwell.com.cn

### SUZHOU MEAN WELL TECHNOLOGY CO., LTD.

No.77, Jian-Ming Rd. Dong-Qiao, Pan-Yang Ind. Park,  
Huang-Dai Town, Xiang-Cheng District,  
Suzhou, Jiang-Su, China

**Tel** +86-512-6508-8600

**Fax** +86-512-6508-8700

**e-mail** info@meanwell.cc

**Web** www.meanwell.cc



March 2017